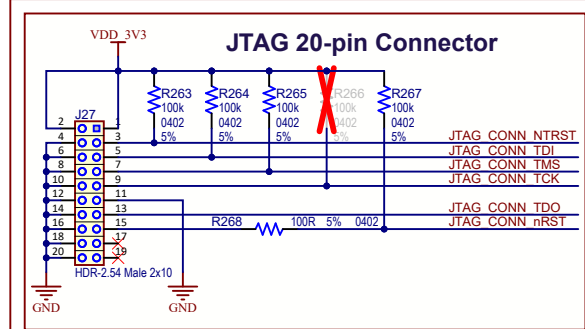
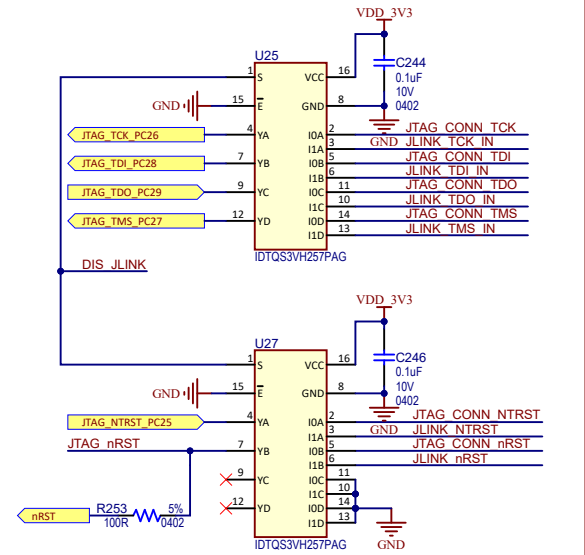
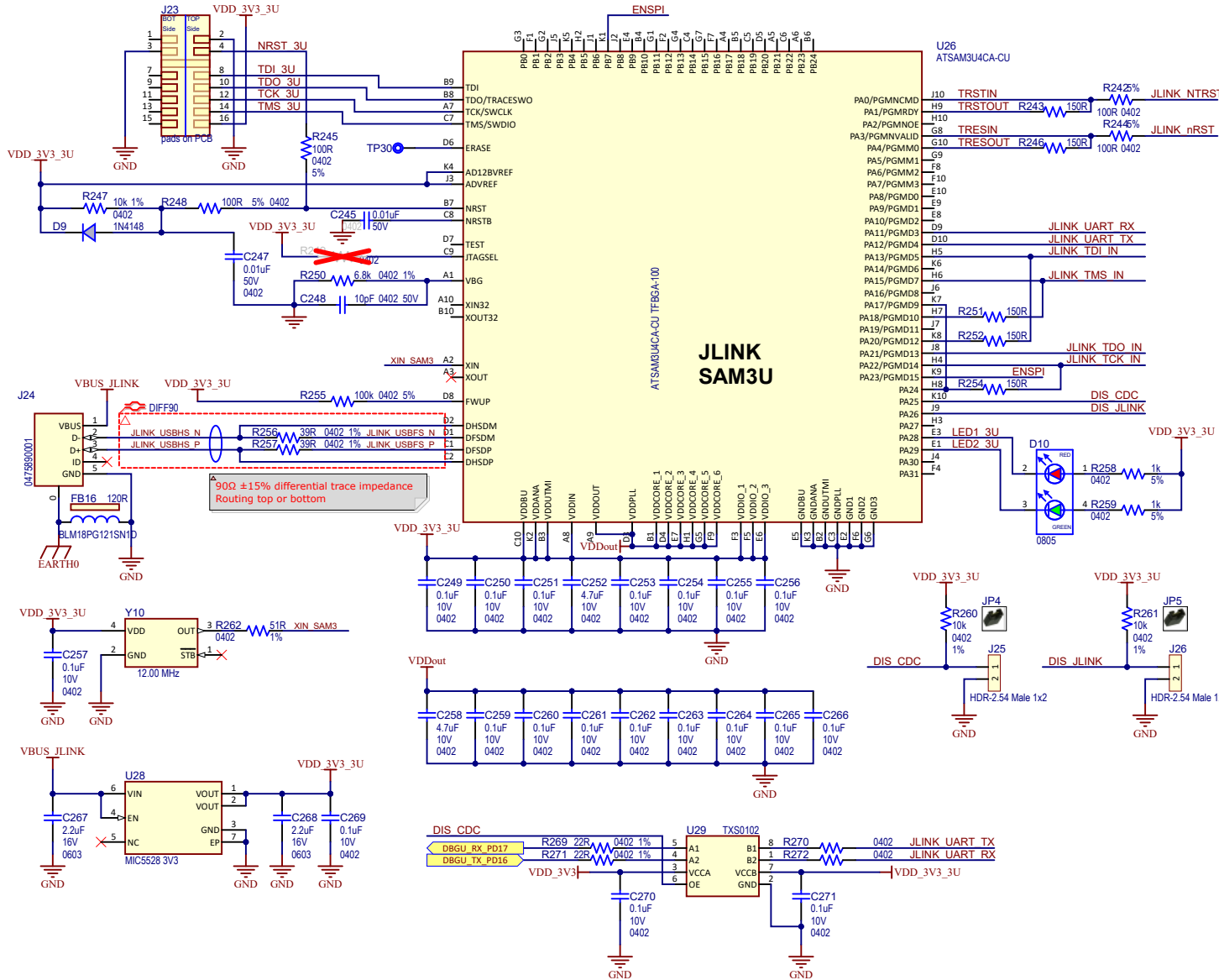


# JLINK OB



Drawn By: CAV			
Engineer: CAV			
PartNumber: EV21H18A		Project Title <b>SAMA7G54 Evaluation Kit</b>	
Sheet Title <b>JLINK Debugger</b>		Variant Name Standard	
Size B	SCH #: 03-00038 PCB #: 04-11152	Rev: 5 Rev: 5	Date: 12/22/2021 1:43:38 PM Sheet 15 of 15
File: 14 - JLINK Debugger.SchDoc		Designed with 	