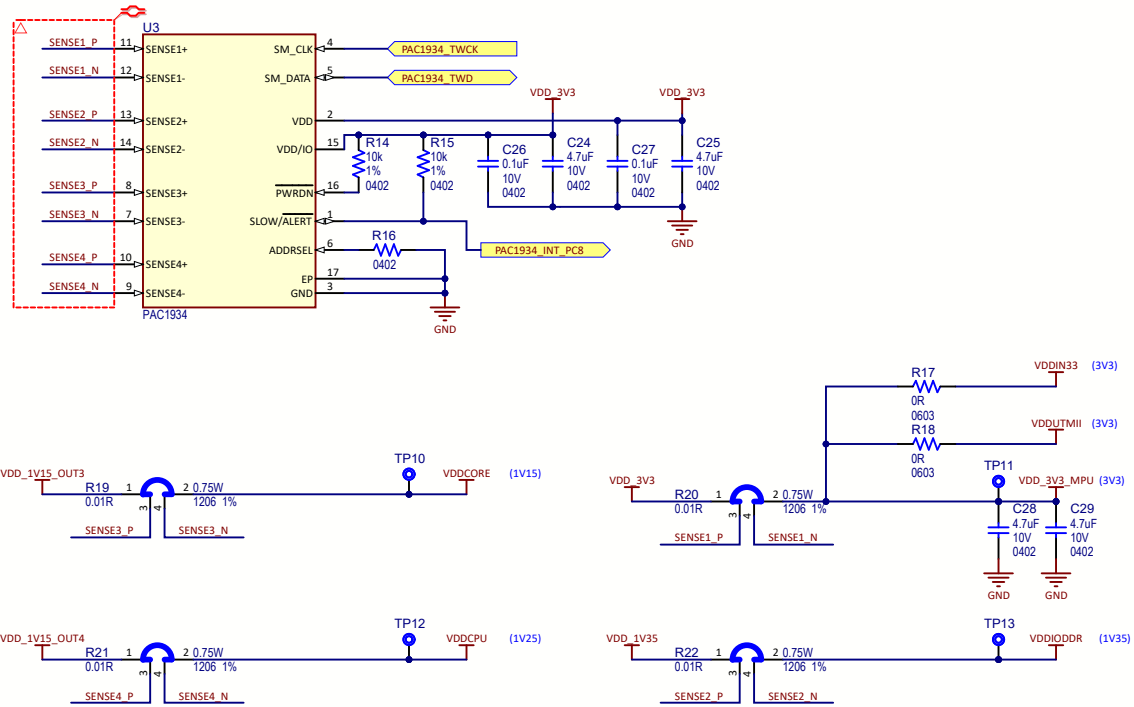


Power Measurement and Distribution



Drawn By: CAV		
Engineer: CAV		
PartNumber: EV21H18A	Project Title SAMA7G54 Evaluation Kit	
Sheet Title Power Distribution	Variant Name Standard	
Size B	SCH #: 03-00038 PCB #: 04-11152	Rev: 5 Date: 12/22/2021 1:43:35 PM Sheet 3 of 15
File: 02 - Power Distribution SchDoc		

