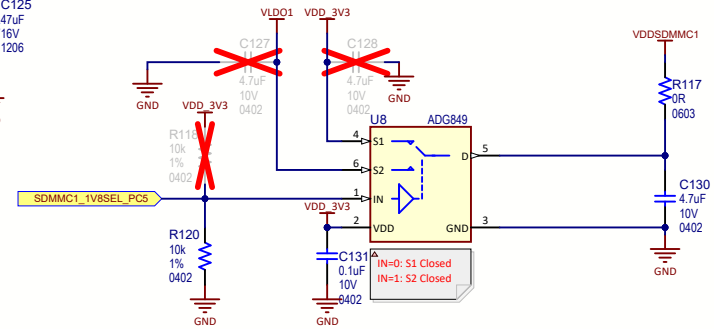
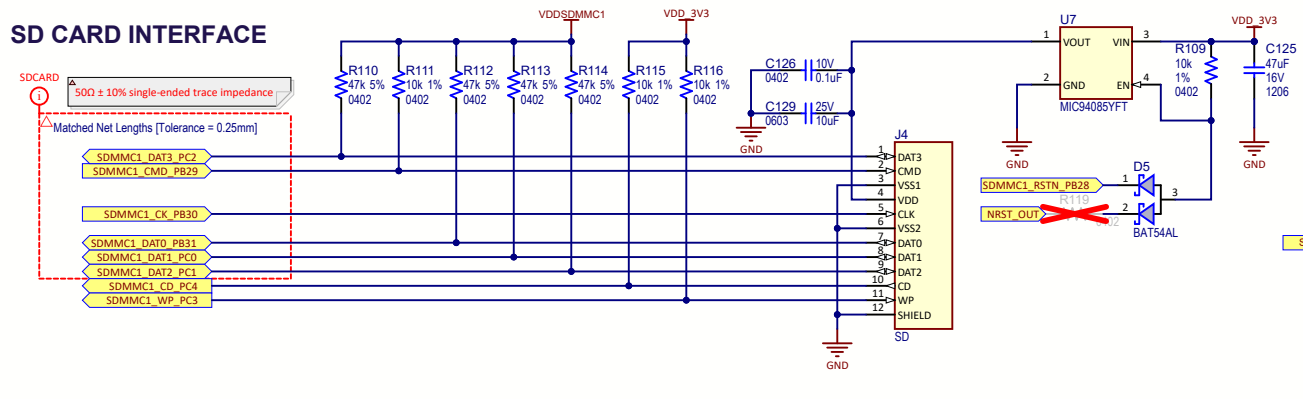
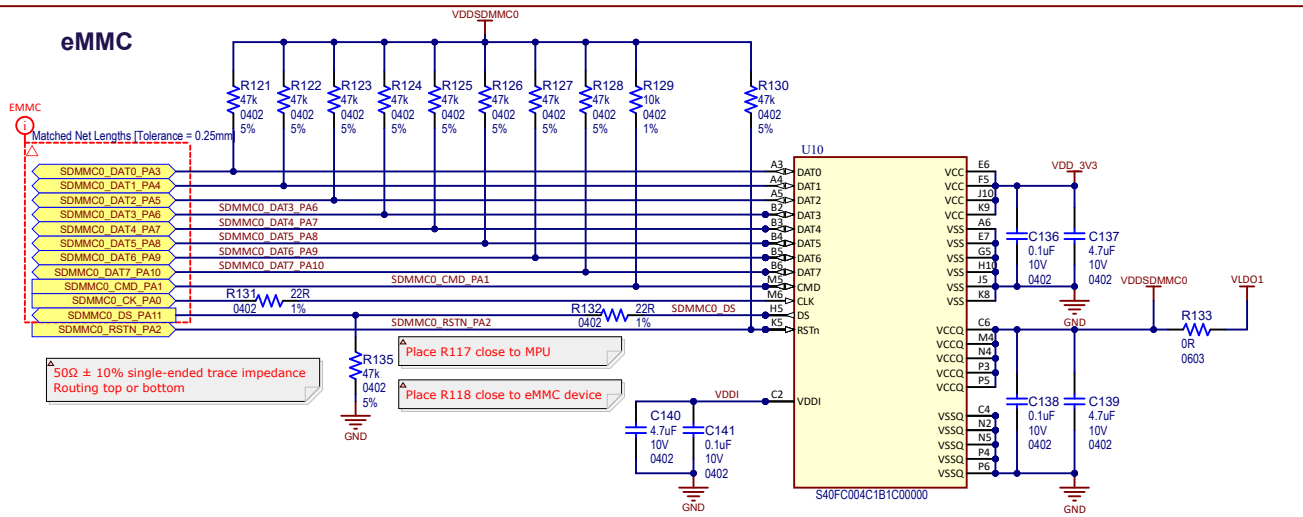


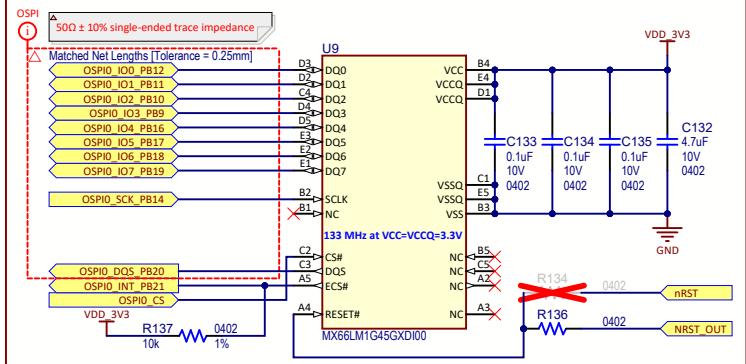
SD CARD INTERFACE



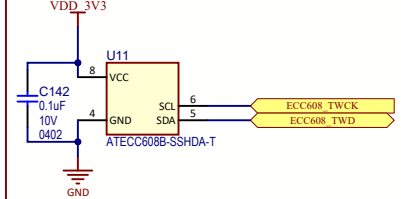
eMMC



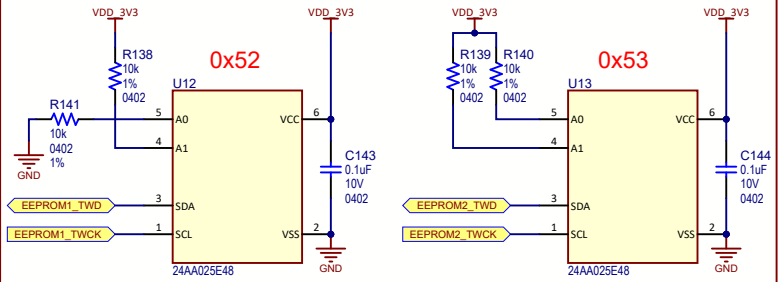
Octal SPI Memory



ECC608B CryptoAuthentication



On Board EEPROM's



Drawn By: CAV	
Engineer: CAV	
PartNumber: EV21H18A	Project Title SAMA7G54 Evaluation Kit
Sheet Title NVN Memories	Variant Name Standard
Size B	SCH #: 03-00038 Rev: 5 PCB #: 04-11152 Rev: 5
Date: 12/22/2021 1:43:36 PM	Sheet 7 of 15
File: 06 - NVN Memories.SchDoc	

