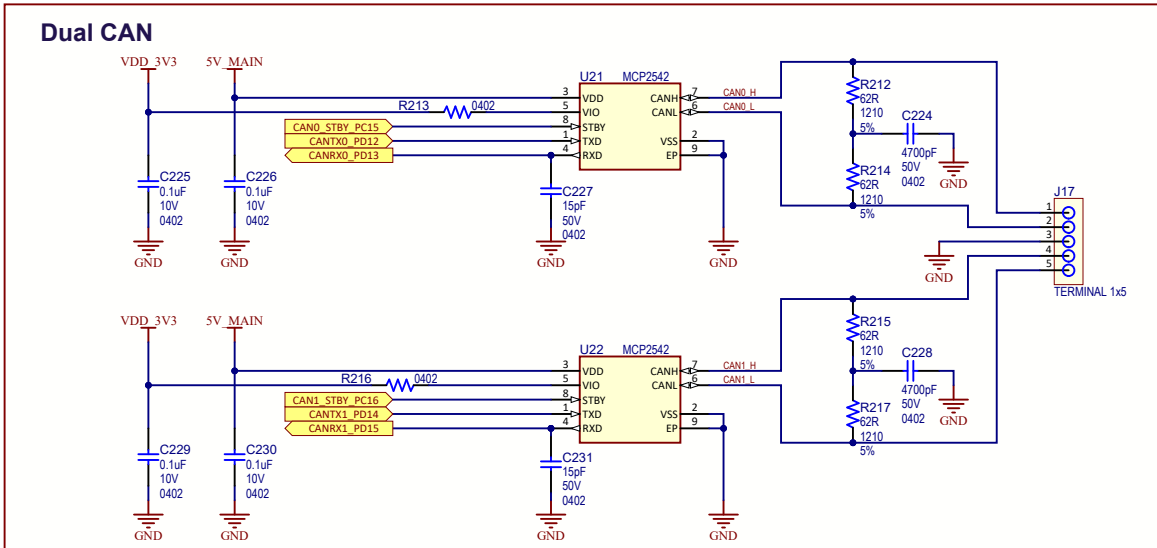
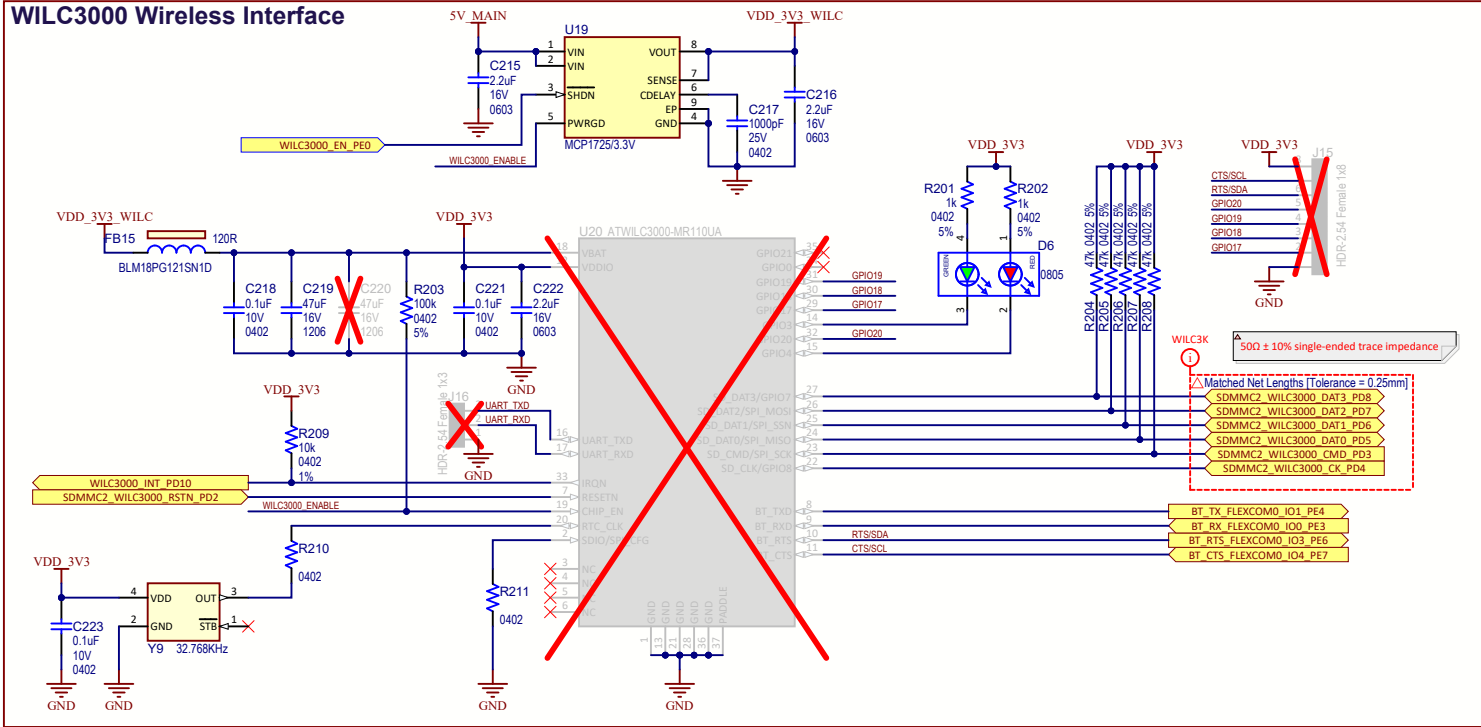


WILC3000 Wireless Interface



Drawn By: CAV				
Engineer: CAV				
PartNumber: EV21H18A	Project Title SAMA7G54 Evaluation Kit			
Sheet Title Wireless - CAN	Variant Name Standard			Designed with Altium
Size B	SCH #: 03-00038	Rev: 5	Date: 12/22/2021 1:43:37 PM	Sheet 12 of 15
File: 11 - Wireless - CAN.SchDoc	PCB #: 04-11152	Rev: 5		