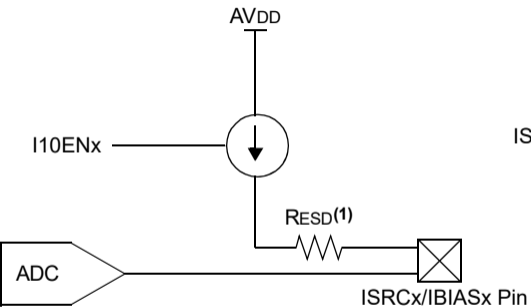


## Fixed Source



## Variable Sources

