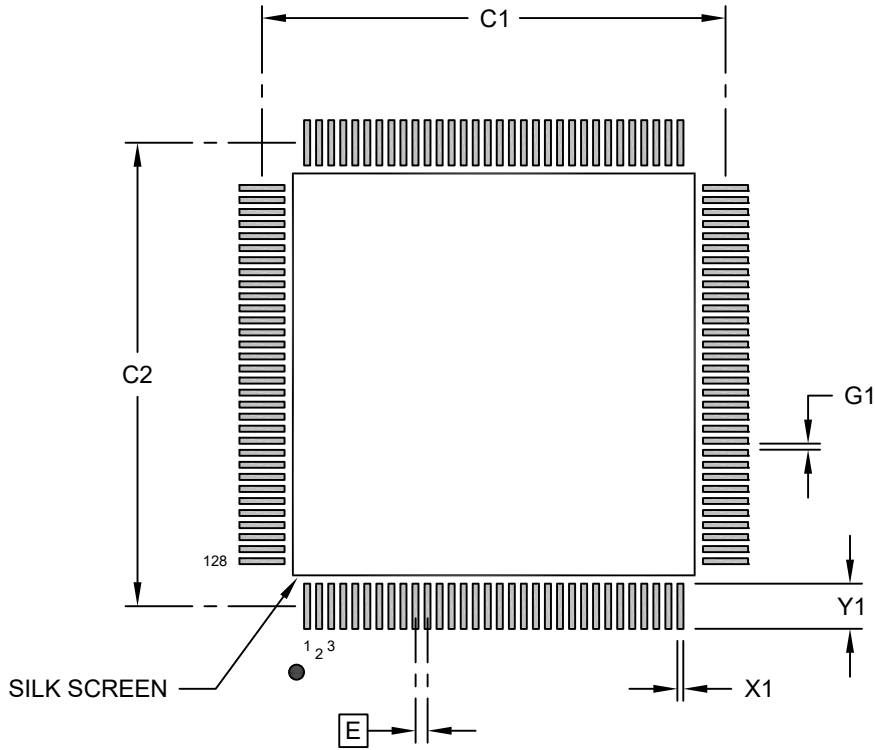


128-Lead Thin Plastic Quad Flatpack (Z2X) - 14x14 mm Body [TQFP] SMSC Legacy VTQE3; Atmel Legacy Global Package Code APL

Note: For the most current package drawings, please see the Microchip Packaging Specification located at <http://www.microchip.com/packaging>



RECOMMENDED LAND PATTERN

Dimension Limits	Units	MILLIMETERS		
		MIN	NOM	MAX
Contact Pitch	E	0.40 BSC		
Contact Pad Spacing	C1		15.40	
Contact Pad Spacing	C2		15.40	
Contact Pad Width (X20)	X1			0.20
Contact Pad Length (X20)	Y1			1.50
Contact Pad to Contact Pad (X124)	G1	0.20		

Notes:

1. Dimensioning and tolerancing per ASME Y14.5M
BSC: Basic Dimension. Theoretically exact value shown without tolerances.