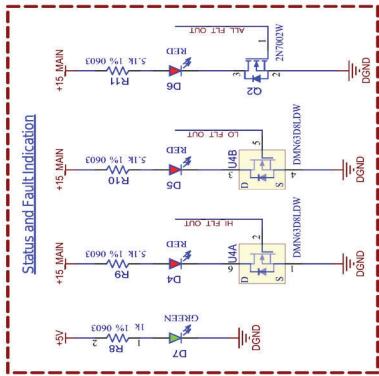


Net Class: High Voltage Side

Net Class: Low Voltage Side

F indicates LQV at Power Down

Note:
 16 and 17 are used to select signal from external source or select On-board generated signals (DPT1 signal or Continuous)



Project Owner: S&S Street C
 PCB Layout Contact: Vpin G
 Project Title: Variant: 1200V
 Part Number: AND2-EVAL-00 ASD2 & SIC IC Evaluation Board
 Sheet Title: Input, Output, CPU, Indication section
 Size: A3 SCH F03-AS-5000 Rev: 02 Date: 2/9/2022
 File: 001_PCB-AS-5000 Rev: 02 Sheet 2 of 7

MICROCHIP
 Described with
Altium
 Aluminum