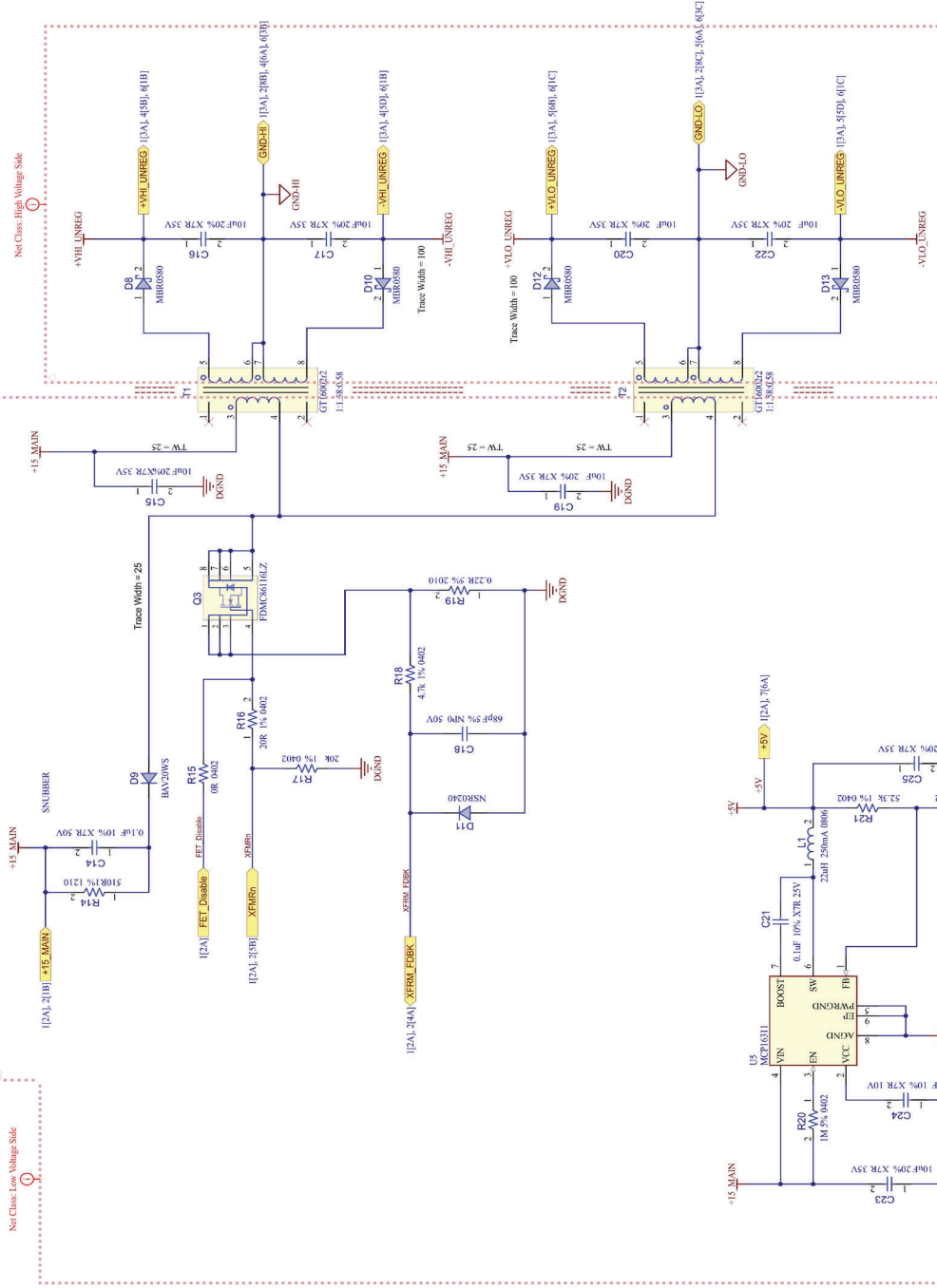


Net Class: Low Voltage Side

Net Class: High Voltage Side



2000VAC/VDC Isolation Barrier
 At Least 8 mm from Low Voltage
 Side and High Voltage Side .

No Sharp corners towards Low
 Voltage and High Voltage Side
 traces.

MICROCHIP

Project Name: CN5768, S5768v1 C
 PCB Layer: Connect
 Variant: 1200V
 Part Number: ASD2-EVAL-00ASD2 & SIC IC Evaluation Board
 Sheet Title: Power Supply DC-DC
 Date: 3/9/2022
 Rev: 02
 File: 001_P8_1DCR_schv2

Altium
 Designer: [Name]
 Sheet: 3 of 7
 Altium