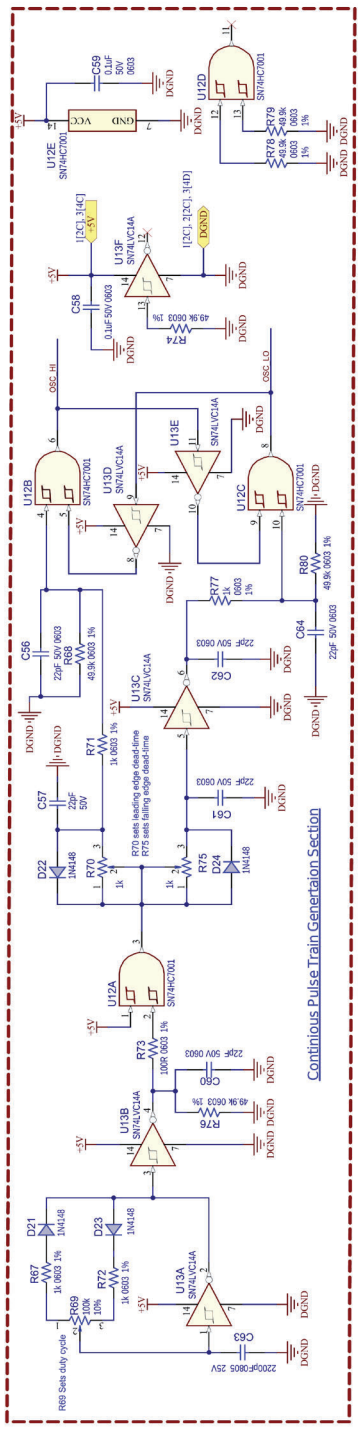
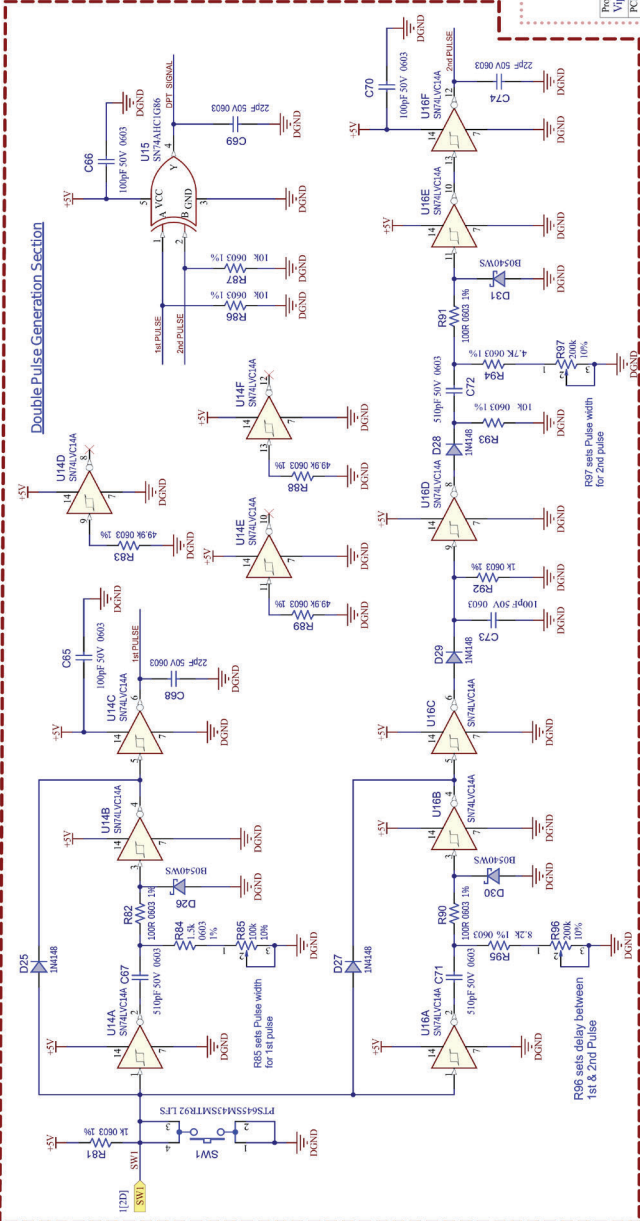


Net Class: Low Voltage Side

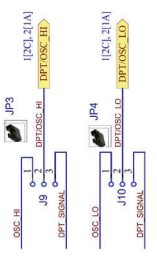


Continuous Pulse Train Generation Section



Double Pulse Generation Section

Note:  
 J9 and J10 are used to have a flexibility for doing double pulse testing for low side & High side Power Switch  
 Through J9 and J10 we can also provide continuous train at low side & High side Power Switch



Project Owner: Vignan G/Nitesh S/Steven C  
 PCB Layout Contact: Vignan G  
 Part Number: REV1.00/ASD2 & SIC IC Evaluation Board  
 Revision: 1.00  
 Date: 3/9/2022  
 Size: A3  
 File: PCB E-01-AS-56300  
 Rev: 02  
 Sheet 7 of 7

**MICROCHIP**  
 MICROCHIP TECHNOLOGY  
 MICROCHIP IS AN EQUAL OPPORTUNITY AND AFFIRMATIVE ACTION EMPLOYER  
 MICROCHIP AND THE MICROCHIP LOGO ARE REGISTERED TRADEMARKS OF MICROCHIP TECHNOLOGY INC.  
 © 2022 MICROCHIP TECHNOLOGY INC.