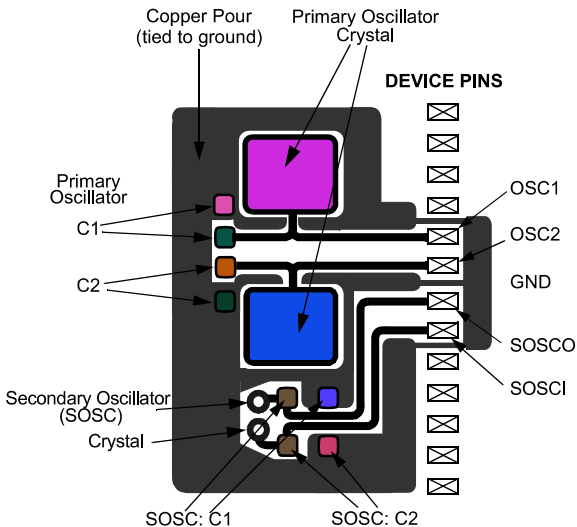


Single-Sided and In-Line Layouts:



Fine-Pitch (Dual-Sided) Layouts:

