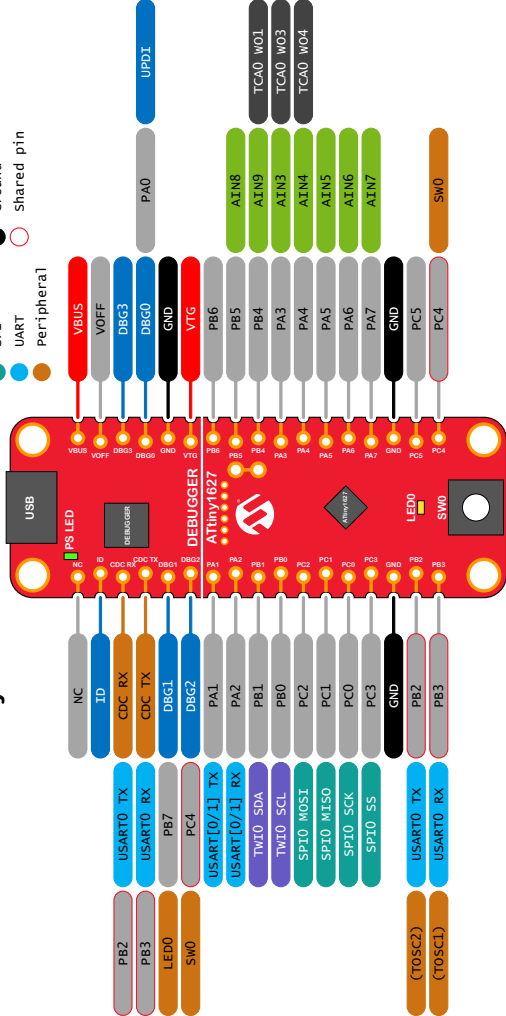


# ATtiny1627

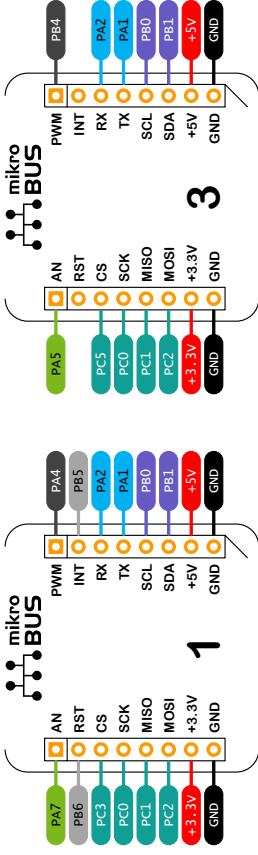
## Curiosity Nano

- Analog
- Debug
- I2C
- SPI
- UART
- Peripheral
- Port
- PWM
- Power
- Ground
- Shared pin



# Curiosity Nano Base

## for click boards™



## Explained Pro Extension

