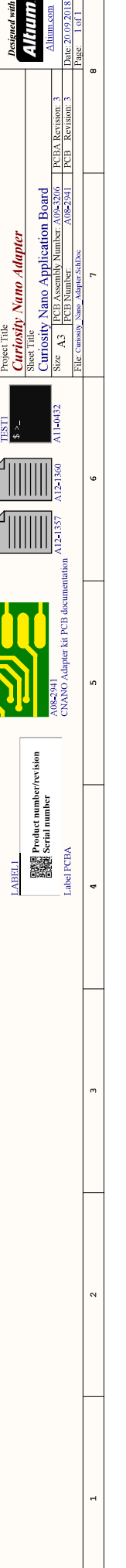
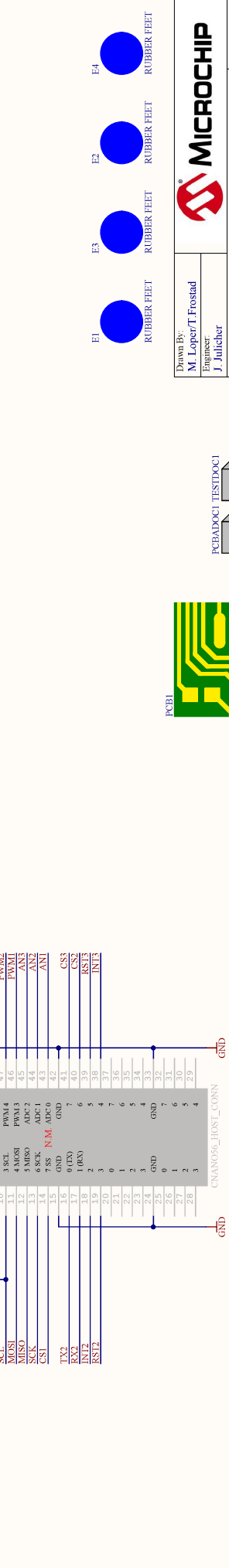
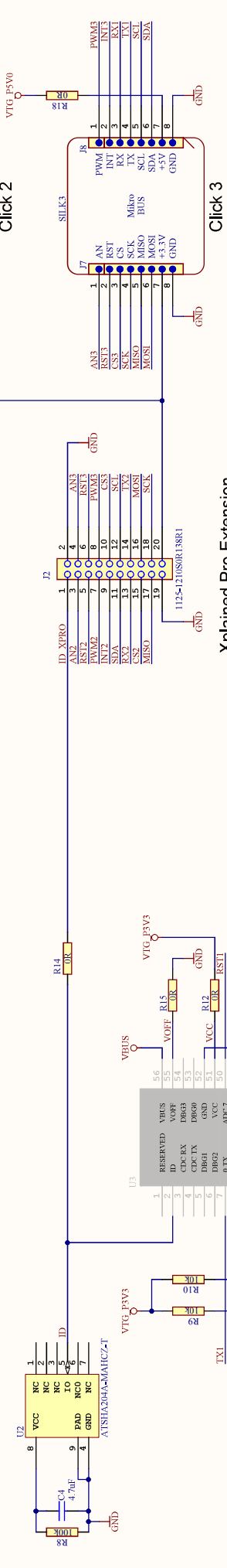
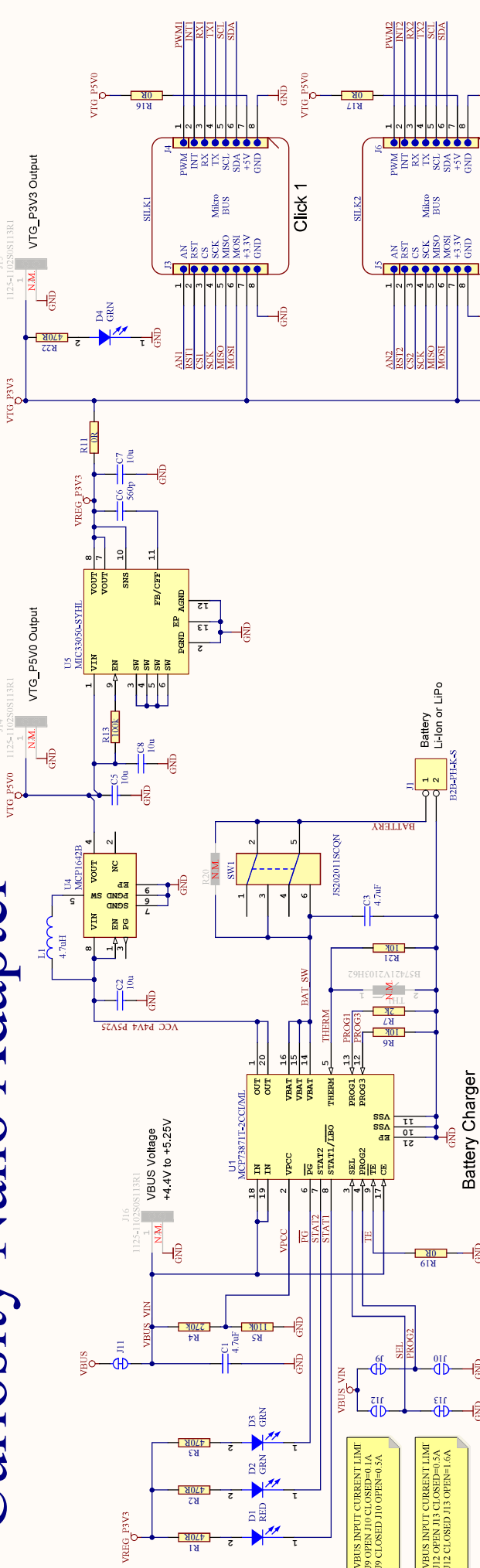


Curiosity Nano Adapter



8 7 6 5 4 3 2 1

1 2 3 4 5 6 7 8

Designed with **Altium**

Project Title: **Curiosity Nano Adapter**

Sheet Title: **Curiosity Nano Application Board**

Size: **A3**

PCB Assembly Number: **A/09-2906**

PCB Revision: **3**

File: **Curiosity Nano Adapter.dwg**

Date: **20/09/2018**

Page: **1** of **11**

Drawn By: **M. Loper/T. Frostad**

Engineer: **J. Junfelder**

PCBDOC1 TESTSDOC1

TESTS1

PCBNO ADAPTER KIT PCB DOCUMENTATION

A11-0432

A12-1560

PCBI

PCBNO ADAPTER KIT PCB DOCUMENTATION

A11-0432

A12-1560

Product number/revision

Serial number

Label PCB A

MICROCHIP

Curiosity Nano Adapter

RUBBER FEET

RUBBER FEET

RUBBER FEET

RUBBER FEET

RUBBER FEET

RUBBER FEET