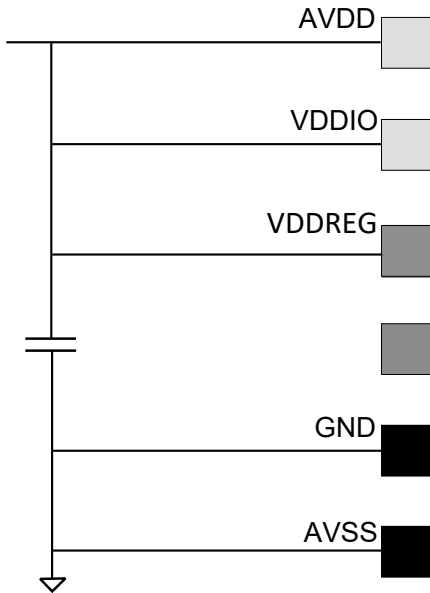


Main Supply
(1.71V — 3.6V)



AVDD

VDDIO

VDDREG

GND

AVSS

DEVICE