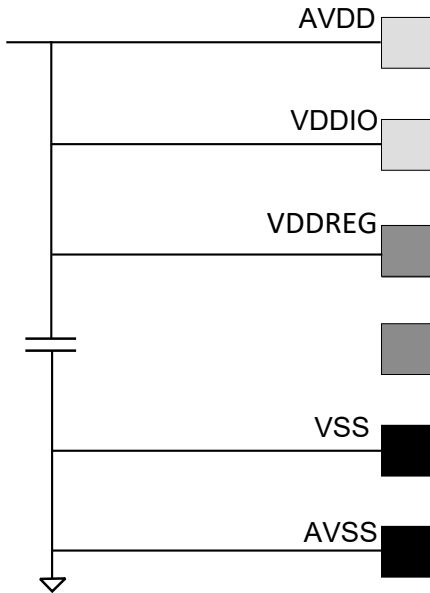


Main Supply  
(1.71V — 3.6V)



AVDD

VDDIO

VDDREG

VSS

AVSS

DEVICE