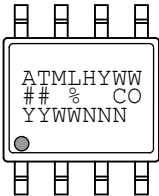
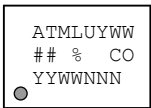


# AT24CM02: Package Marking Information

8-lead SOIC	8-ball WLCSP
	

Note 1: ● designates pin 1

Note 2: Package drawings are not to scale

Catalog Number Truncation		
AT24CM02		Truncation Code ##: 2H
Date Codes		Voltages
YY = Year 15: 2015    19: 2019 16: 2016    20: 2020 17: 2017    21: 2021 18: 2018    22: 2022		% = Minimum Voltage M: 1.7V min D: 2.5V min
WW = Work Week of Assembly 02: Week 2 04: Week 4 ... 52: Week 52		
Country of Origin	Device Grade	Atmel Truncation
CO = Country of Origin	H or U: Industrial Grade	AT: Atmel ATM: Atmel ATML: Atmel
Lot Number or Trace Code		
NNN = Alphanumeric Trace Code (2 Characters for small packages)		