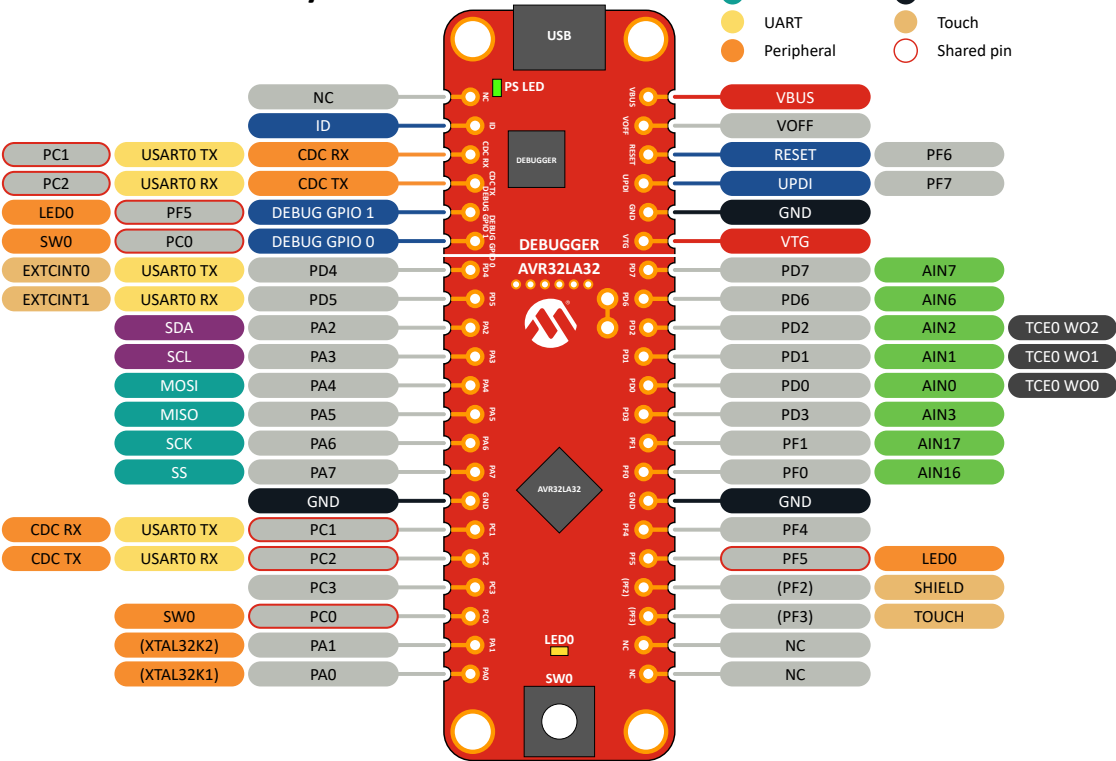
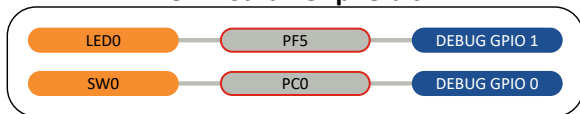


# AVR32LA32 Curiosity Nano

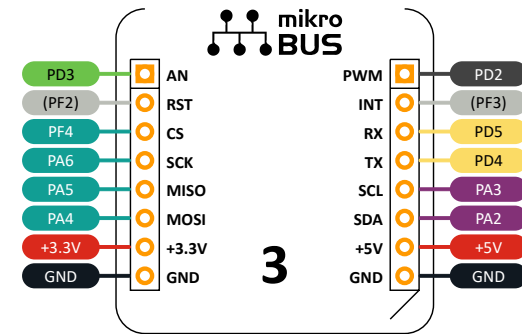
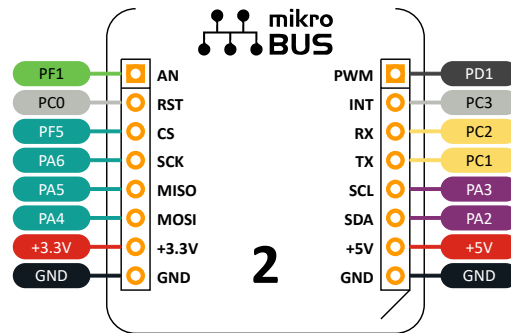
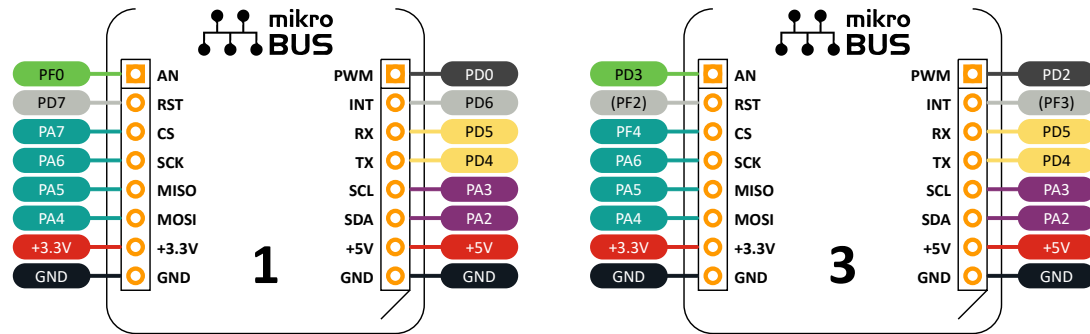
- Analog
- Debug
- I2C
- SPI
- UART
- Peripheral
- Port
- PWM
- Power
- Ground
- Touch
- Shared pin



## On-Board Peripherals



# Curiosity Nano Base for Click boards™



## Xplained Pro Extension

