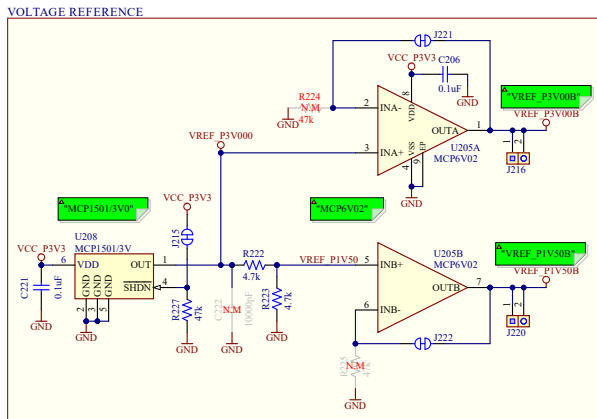
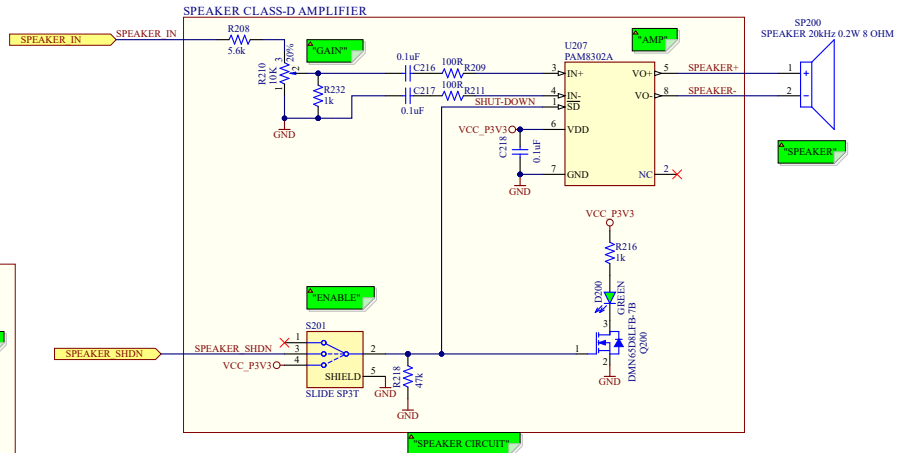
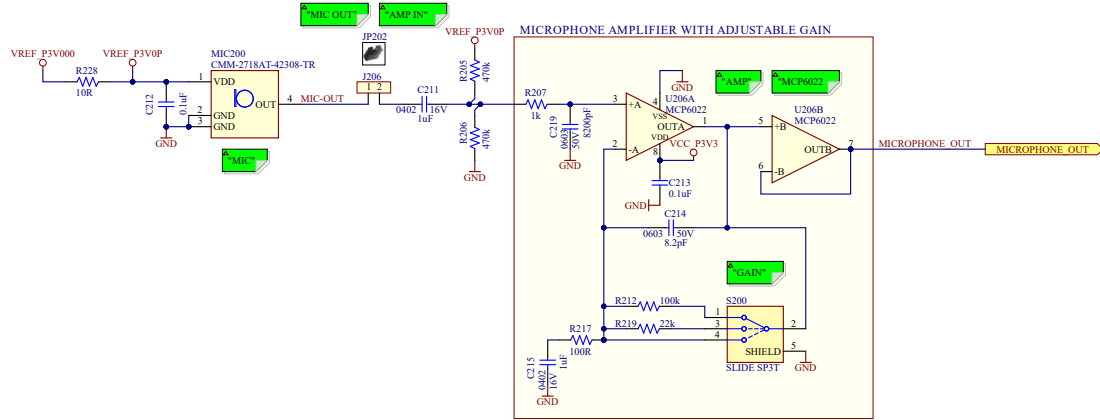


Audio



Project Owner: AH			
PCB Layout Contact: TF, VL			
PartNumber: EV58G97A	Project Title Curiosity Nano Explorer	Variant: Default Assembly	
Sheet Title			
Size A3	SCH #: 02-00630	Rev: 3	Date: 06.03.2024
File: Curiosity Nano Explorer Audio SchDoc	PCB #: 04-11720	Rev: 2	Sheet 4 of 9
Designed with			

C:\Nano\Templates\Revision 24