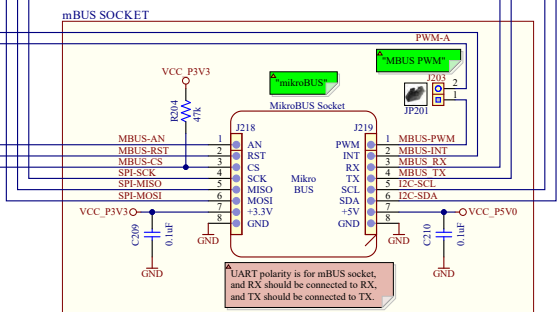
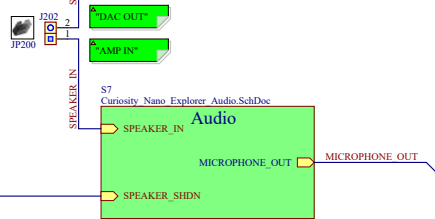
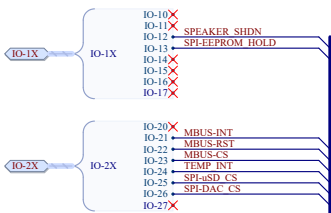
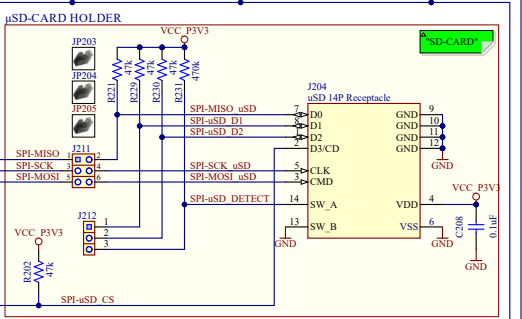
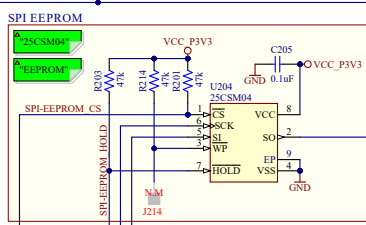
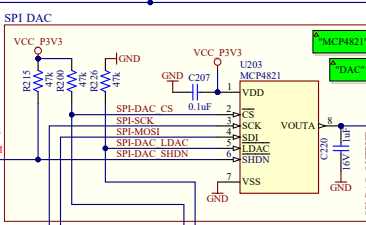
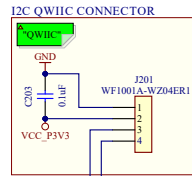
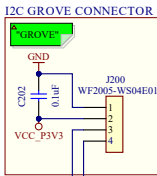
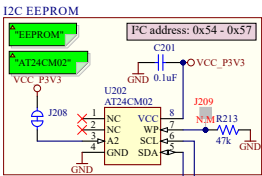
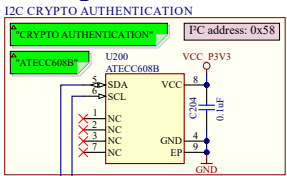
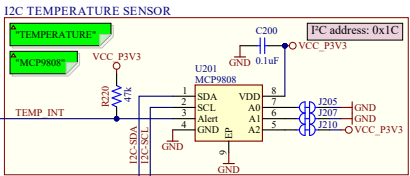


Peripherals



UART polarity is for mBUS socket, and RX should be connected to RX, and TX should be connected to TX.

Project Owner: AH			
PCB Layout Contact: TF, VL			
PartNumber: EV58G97A	Project Title: Curiosity Nano Explorer	Variant: Default Assembly	
Sheet Title: Peripherals			
Size: A3	IC#: 02-00630	Rev. 3	Date: 06.03.2024
	PCB #: 04-11720	Rev. 2	Sheet 3 of 9
File: Curiosity Nano Explorer Peripherals.SchDoc			

©2024 Microchip Technology Inc.

