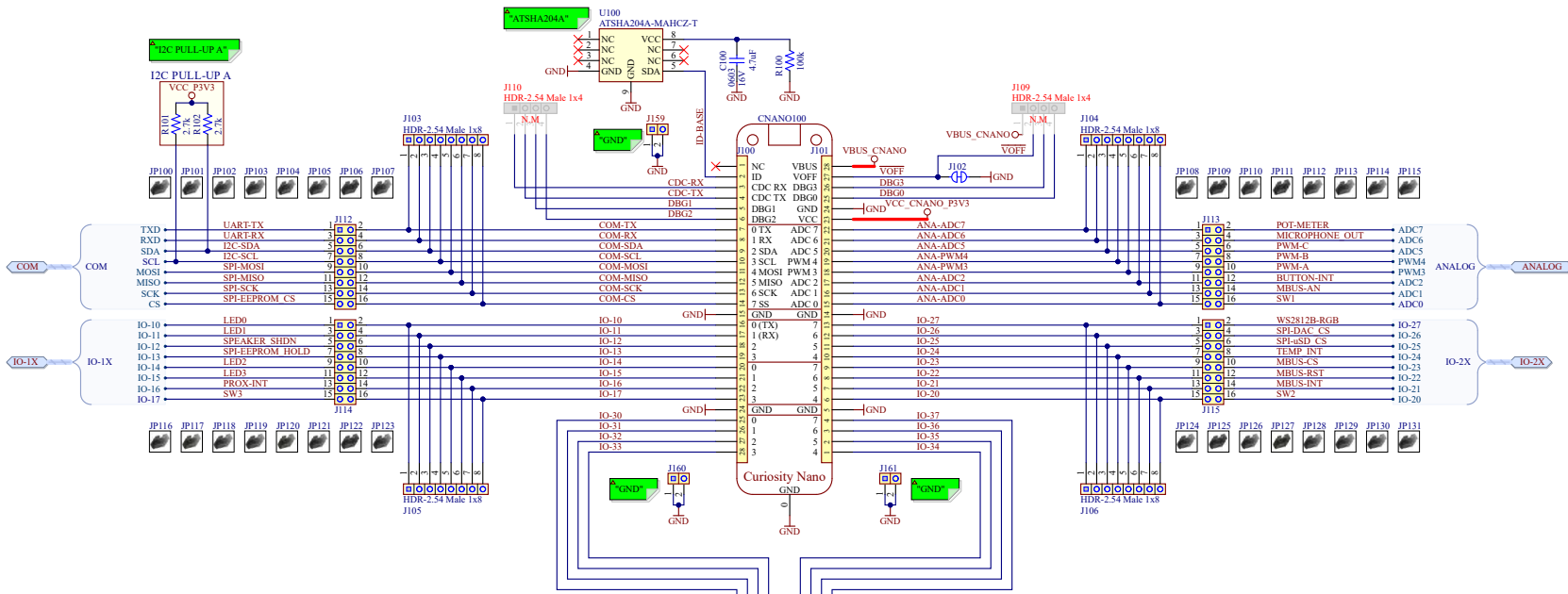
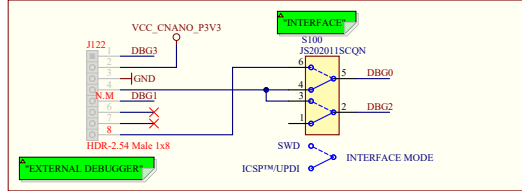


# Curiosity Nano



## EXTERNAL DEBUGGER CONNECTOR



## ICSPM/UPDI MODE

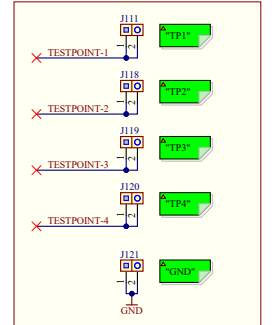
DEBUGGER CONNECTOR	CURIOSITY NANO	ICSPM TARGET	UPDI TARGET
1	DBG3	MCLR_VPP	RESET
2	CNANO_P3V3	VDD	VTG
3	GND	GND	GND
4	DBG0	DAT	DAT
5	DBG1	CLK	SWCLK
6			
7			
8			


## SWD MODE

DEBUGGER CONNECTOR	CURIOSITY NANO	ICSPM TARGET
1	DBG3	RESET
2	CNANO_P3V3	VDD
3	GND	GND
4	DBG2	SWO
5	DBG1	SWCLK
6		
7		
8	DBG0	SWDIO

IO-X-Y naming convention groups pins by section (X[0-3]) and pin number (Y[0-7])

## TESTPOINTS



Project Owner: AH  
 PCB Layout Contact: TF, VL  
 Part Number: EV58G97A  
 Project Title: Curiosity Nano Explorer  
 Variant: Default Assembly  
 Sheet Title: Curiosity Nano  
 Size: A3  
 SCL#: 0240630  
 Rev: 3  
 Date: 06.03.2024  
 PCB #: 04-11720  
 Rev: 2  
 Sheet 2 of 9  
 File: Curiosity Nano Explorer Curiosity Nano.SchDoc  
  
 Designed with Altium