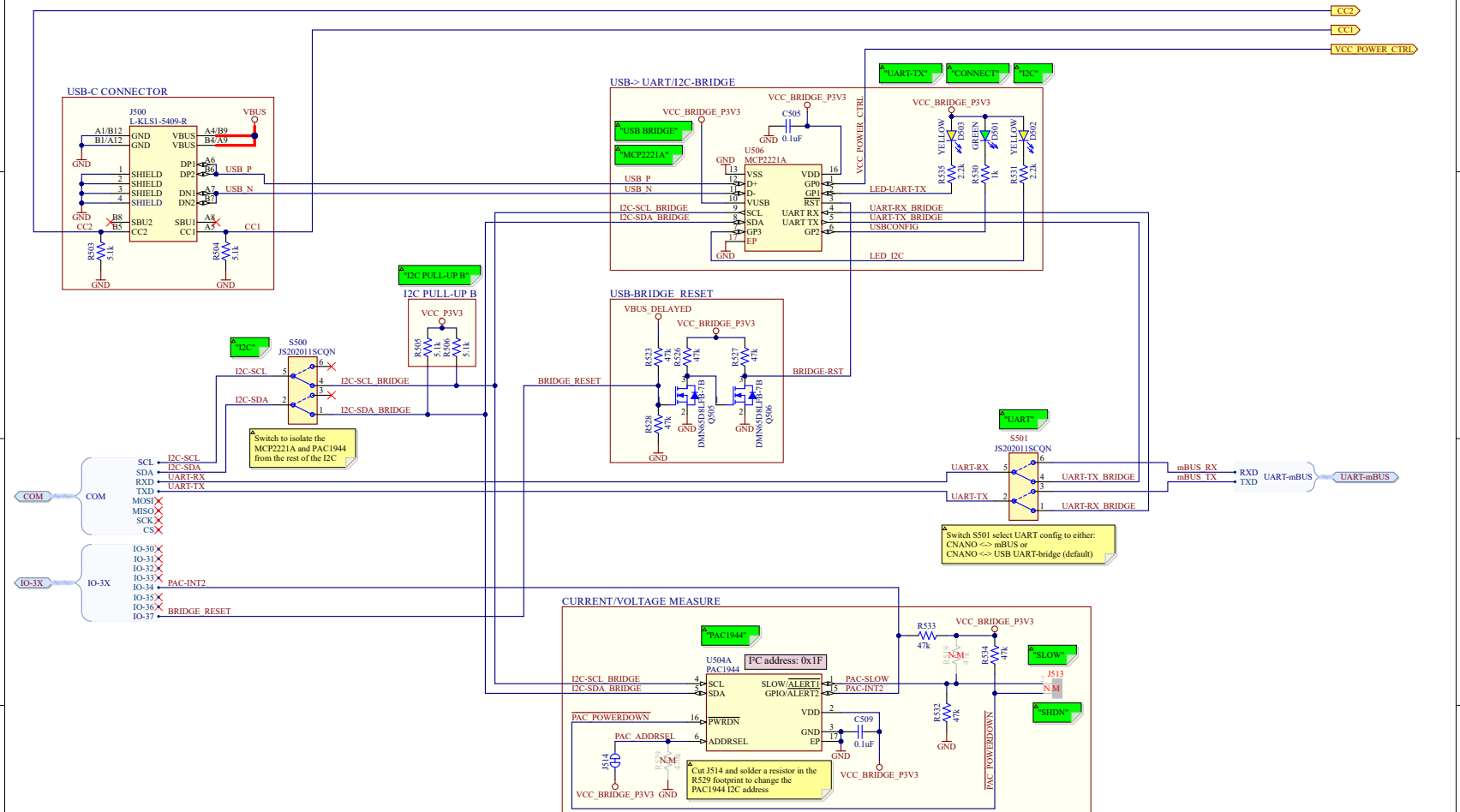


USB-BRIDGE



Project Owner: AH
PCB Layout Contact: TF, VL

PartNumber: EV58G97A Project Title: Curiosity Nano Explorer Variant: Default Assembly

Sheet Title: USB Bridge

Size: A3

File: Curiosity Nano Explorer USB Bridge SchDoc

Rev: 3 Date: 06.03.2024
Rev: 2 Date: 04.11.2020

Designed with Altium

Microchip