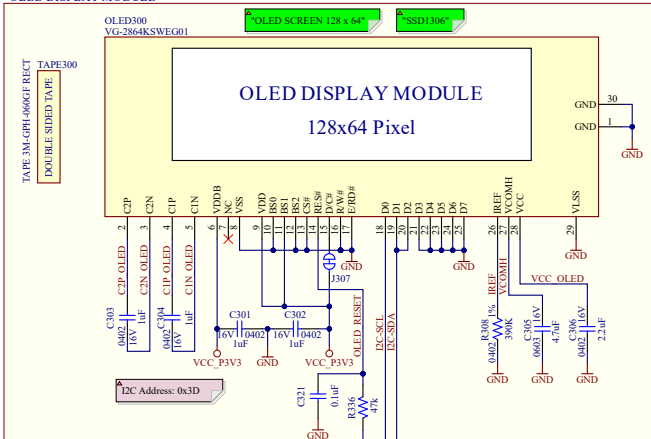
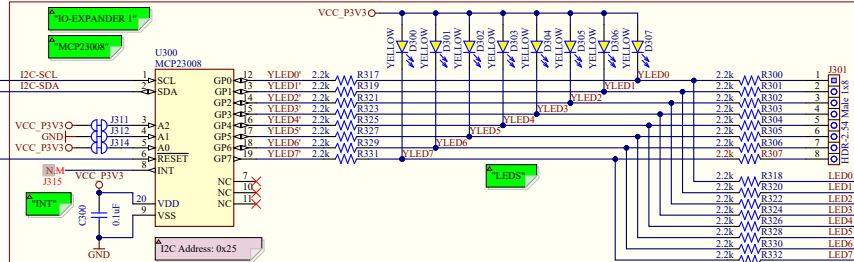


HMI Outputs

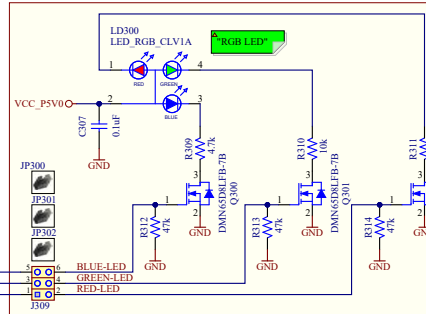
OLED DISPLAY MODULE



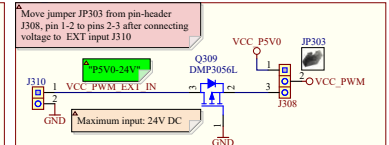
IO-EXPANDER OUTPUTS WITH LEDs



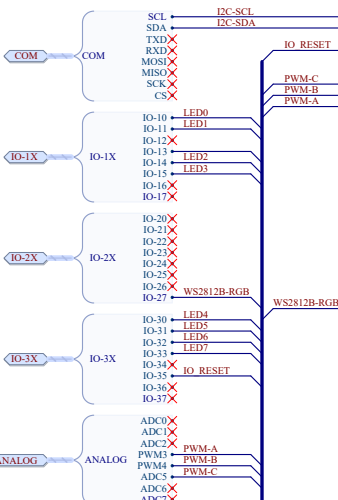
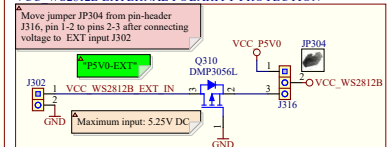
RGB LED



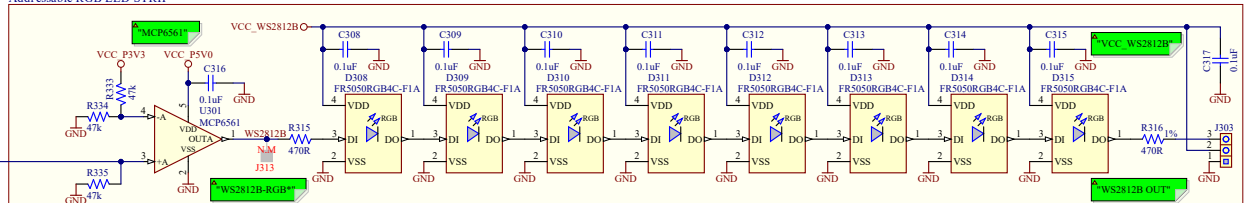
VCC_PWM EXTERNAL POLARITY PROTECTION



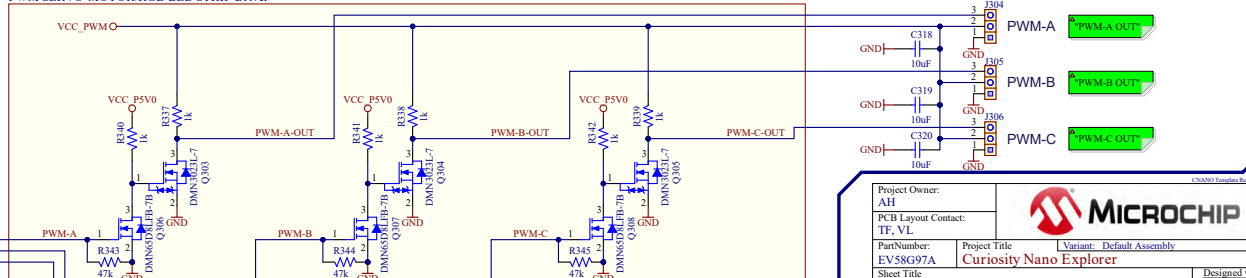
VCC_WS2812B EXTERNAL POLARITY PROTECTION



Addressable RGB LED-STRIP



PWM SERVO-MOTOR/RGB-LED STRIP Driver



Project Owner: AH
PCB Layout Contact: TF, VL
Part Number: EV58G97A
Project Title: Curiosity Nano Explorer
Variant: Default Assembly

Sheet Title: HMI Outputs
Size: A3
Rev: 3
Date: 06.03.2024
Rev: 2
Sheet 5 of 9

Microchip
Designed with Altium

File: Curiosity Nano Explorer HMI Outputs.SchDoc