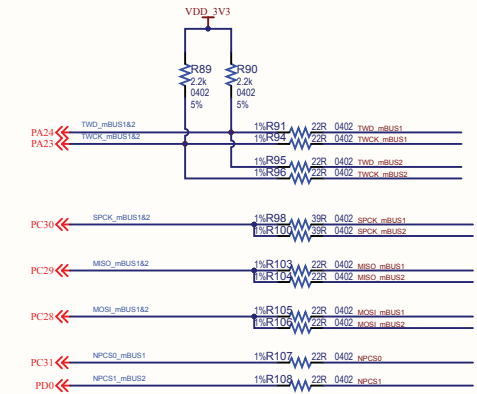
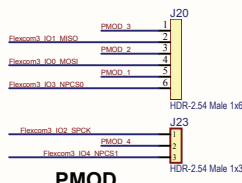


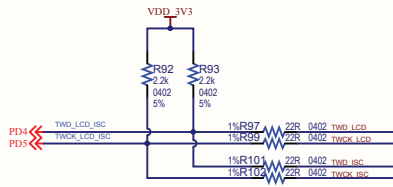
mikroBUS 1



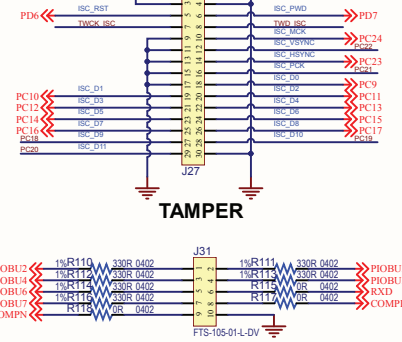
mikroBUS 2



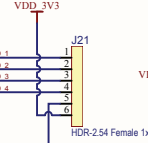
PMOD



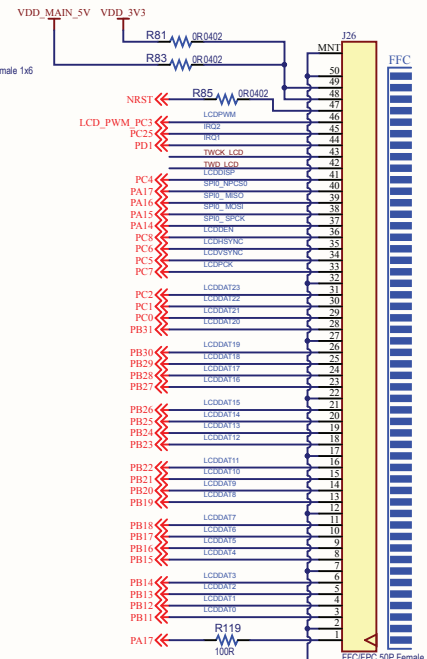
ISC



TAMPER



LCD



Drawn By:	DD
Engineer:	DD
PartNumber:	Project Title
Sheet Title	S:AMASD27-SOMI-EK1
Size	Sch #03-10759
Revision:	D1
Date:	10/11/2018 11:31:20 AM
File:	09: Expansion & Connect Sol.Dwg
Label Net Help Large	Altium.com

1
A
B
C
D

2
3
4
5
6