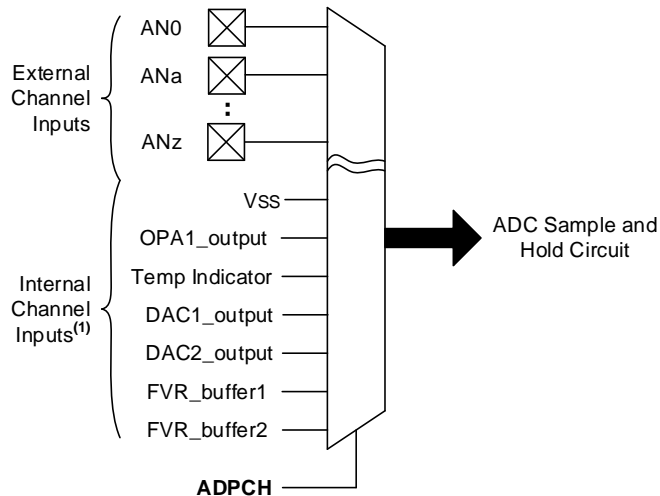


## Positive Input Selection Multiplexers



**Note 1:** The internal input channel selections vary. The inputs shown are all possible input selections. Refer to the “**ADC Positive Input Channel Selection**” table for device-specific selection options.