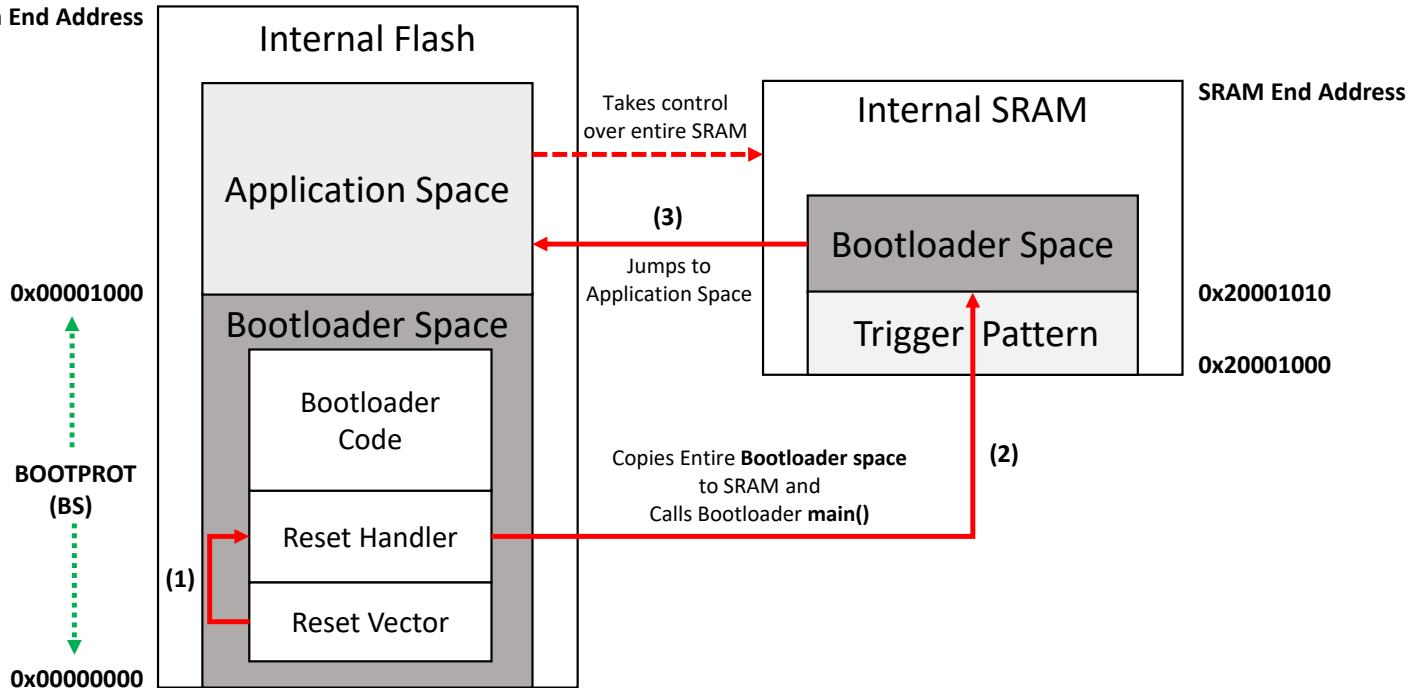


Flash End Address



SRAM End Address

0x00001000

BOOTPROT (BS)

0x00000000

Takes control over entire SRAM

(3)

Jumps to Application Space

Copies Entire **Bootloader space** to SRAM and Calls **Bootloader main()**

(2)

(1)

0x20001010

0x20001000

Internal Flash

Application Space

Bootloader Space

Bootloader Code

Reset Handler

Reset Vector

Internal SRAM

Bootloader Space

Trigger Pattern