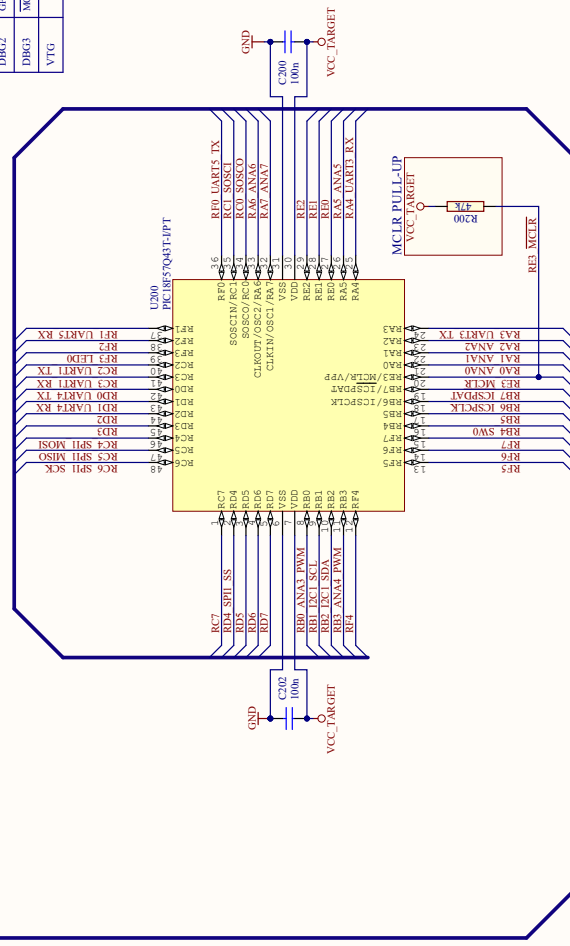
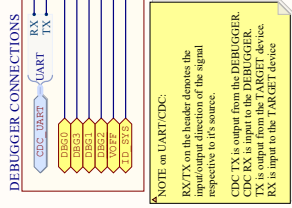


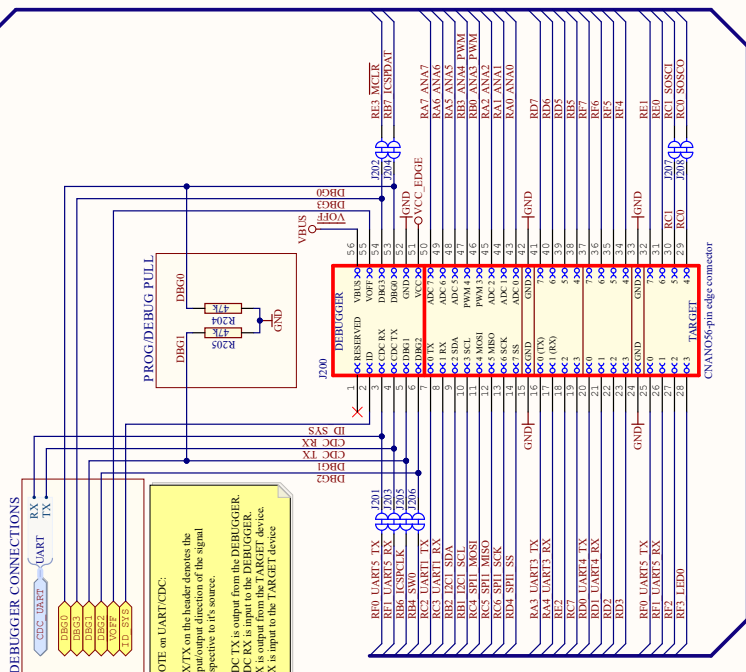
PIC18F57Q43



Debugger	Name	Pin
CDC TX	UART1/5/RX	RF1
CDC RX	UART1/5/TX	RF0
DBG0	ICSPDAT	RB6
DBG1	ICSCLK	RB6
DBG2	GPI00	RB4
DBG3	MCLR	RE3
VTG		1.8V, 5.5V



NOTE on UART CDC:
 RX/TX on the header denotes the mainpinout direction of the signal relative to its source.
 CDC TX is output from the DEBUGGER.
 CDC RX is input to the DEBUGGER.
 RX is output from the debugger device.
 TX is input to the TARGET device.



NOTE on EC:
 No pull-ups on board. Pull-ups should be mounted close to EC client(s).

