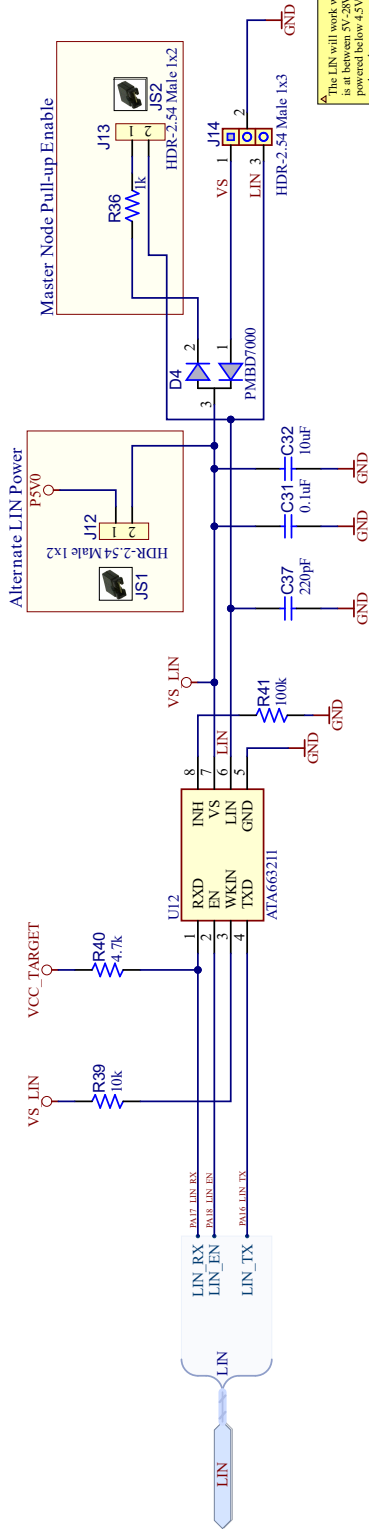


# LIN Interface



The LIN will work when the VS\_LIN is at between 5V - 28V. If VS\_LIN is not provided, the LIN controller will disable transmission to avoid false bus messages. So, the external power supply, VS should be in this range of 5V-28V

# CAN Interface

