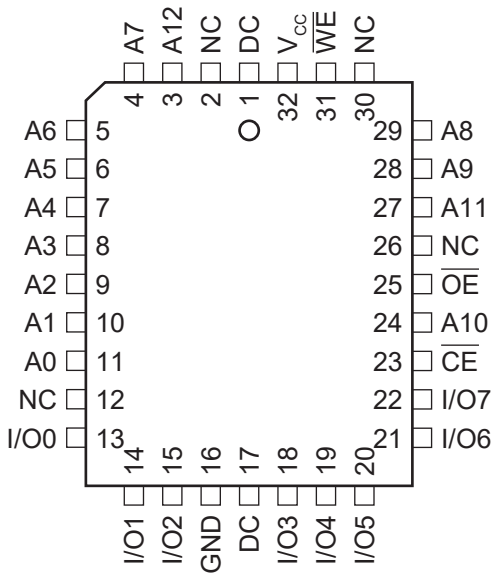


# 32-Lead PLCC

Top View



# 28-Lead SOIC

Top View

