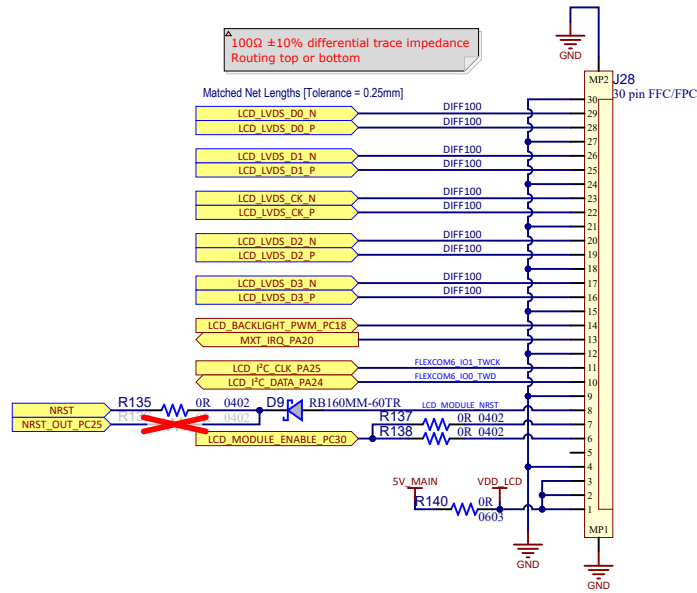
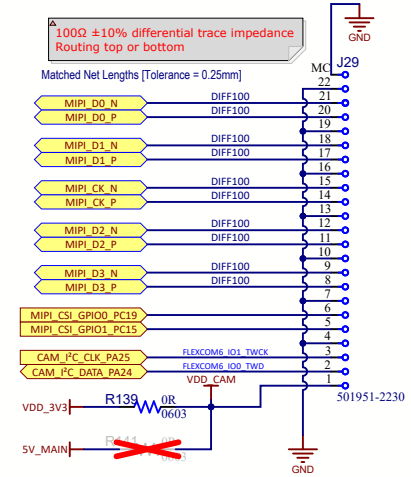


Video Connectors

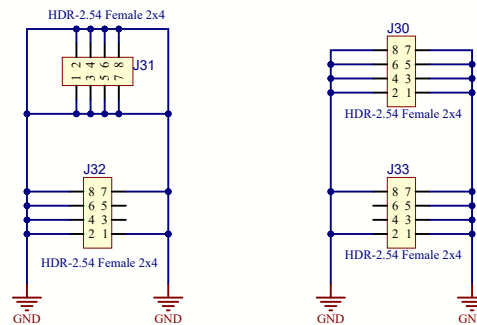
VIDEO LVDS INTERFACE





MIPI CSI/DSI INTERFACE



LCD MODULE CONNECTION



Project Owner: M18315			
PCB Layout Contact: M18315			
PartNumber: 02-01012	Project Title SAM9X75-Curiosity Main Board	Variant: Standard	
Sheet Title Video Connectors			
Size A3	SCH #: 02-01012 PCB #: 04-12082	Rev: 5 Rev: 5	Date: 4/26/2024 Sheet 14 of 19
File: 13 - Video Connectors.SchDoc			