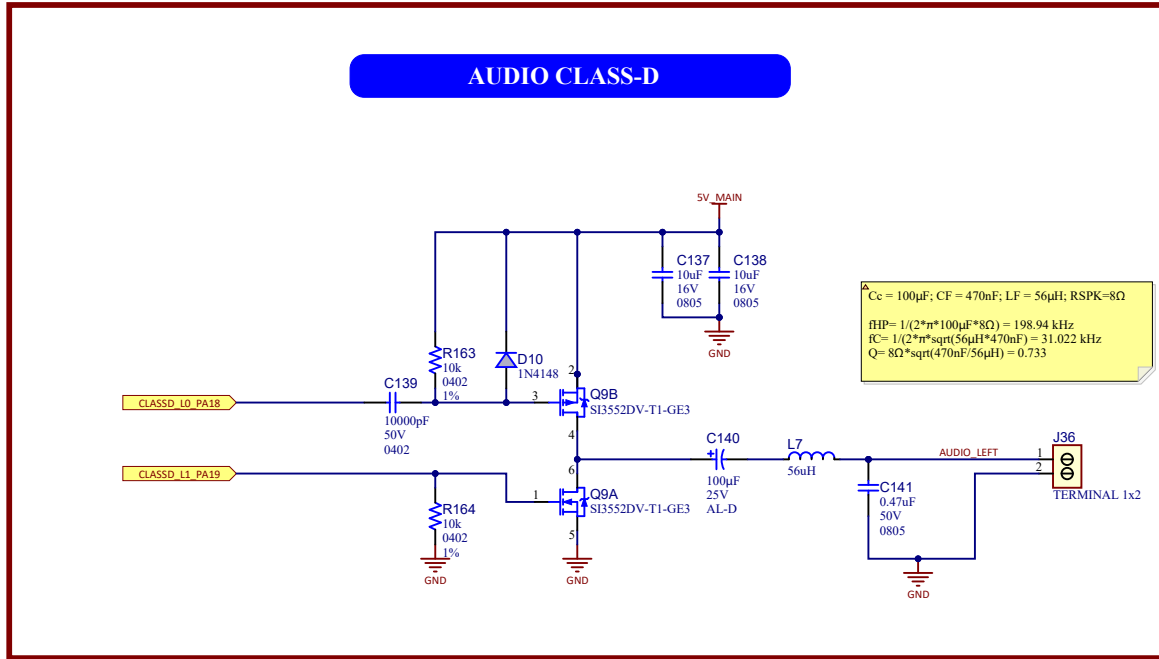



Audio-CLASSD



Project Owner: M18315		
PCB Layout Contact: M18315		
PartNumber: 02-01012	Project Title: SAM9X75-Curiosity Main Board	Variant: Standard
Sheet Title: Audio-CLASSD		
Size: A3	SCH #: 02-01012	Rev: 5
	PCB #: 04-12082	Rev: 5
		Date: 4/26/2024
		Sheet 17 of 19
File: 16 - Audio-CLASSD.SchDoc		

Designed with
Altium
Altium.com