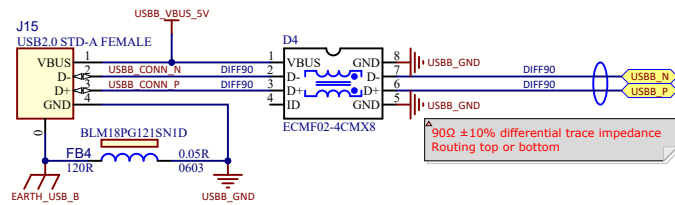


# USB

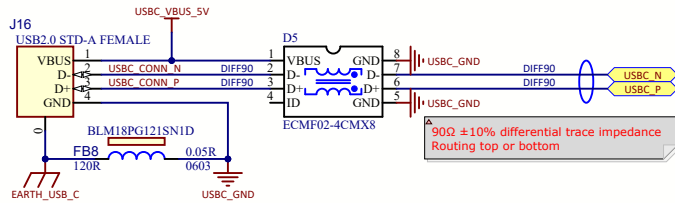
## USB-A Port

See sheet: 01 - Power\_Inputs

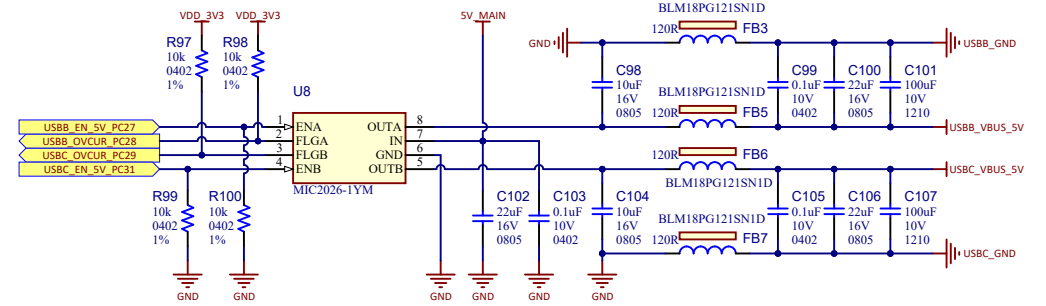
## USB-B Port




## USB-C Port



## USB-B & USB-C DUAL POWER SWITCH - TYPE-A



Project Owner: M18315			
PCB Layout Contact: M18315			
PartNumber: 02-01012	Project Title <b>SAM9X75-Curiosity Main Board</b>	Variant: Standard	
Sheet Title USB			
Size A3	SCH #: 02-01012 PCB #: 04-12082	Rev: 5 Rev: 5	Date: 4/26/2024 Sheet 9 of 19
File: 08 - USB.SchDoc			

