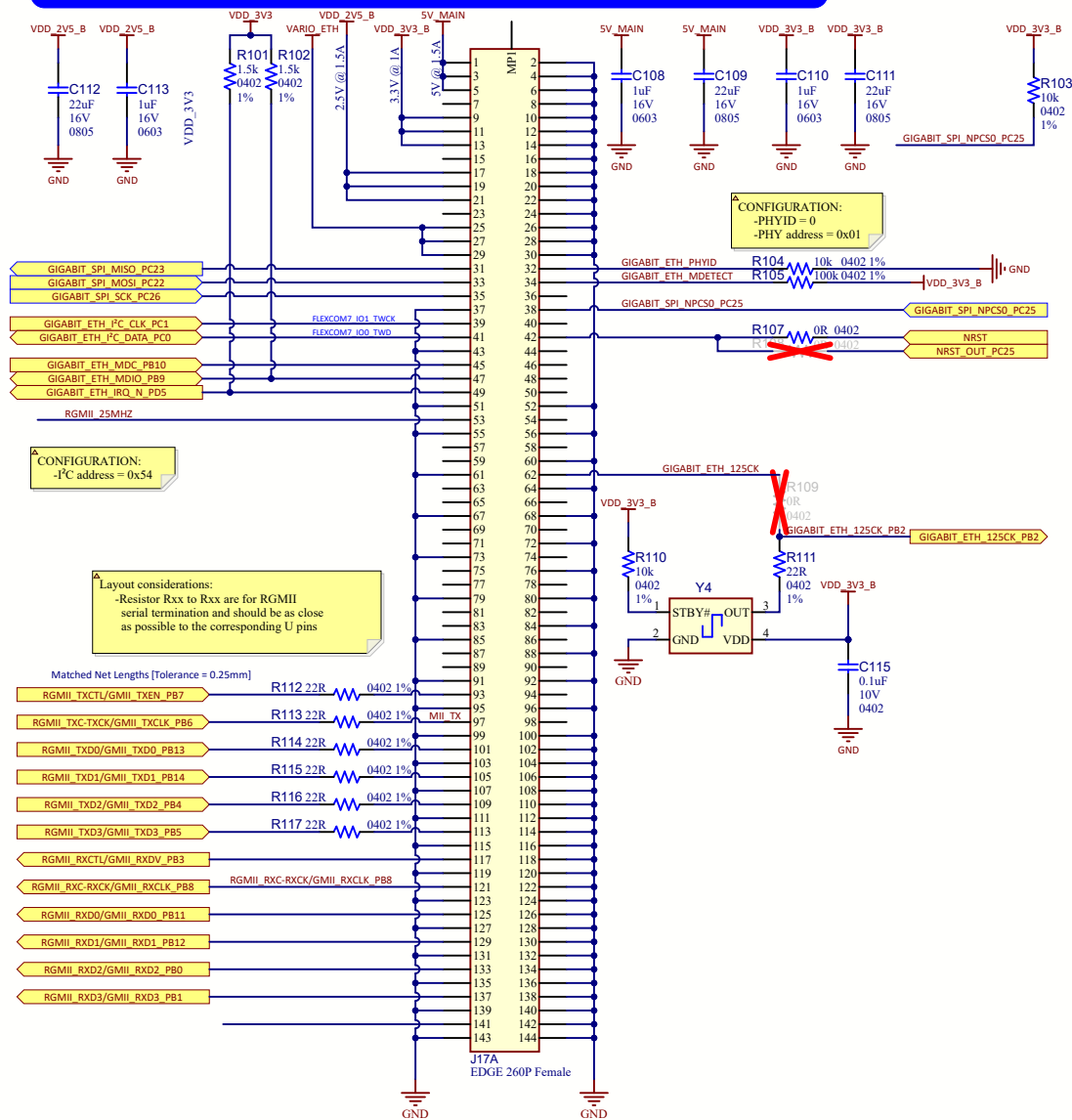


Gigabit Ethernet

GIGABIT ETHERNET MODULE - SODIMM Connector 1/2

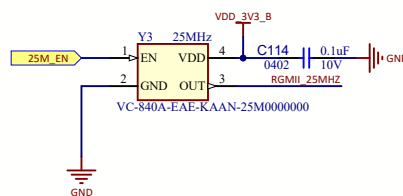


GIGABIT ETHERNET MODULE - SODIMM Connector 2/2

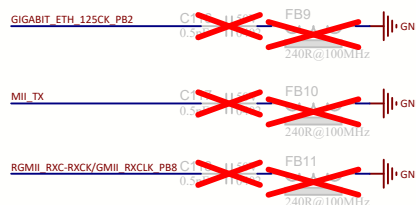
VARIO_ETH SELECTION



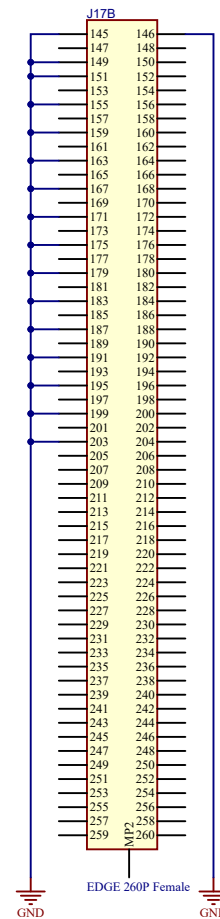
25MHZ CLOCK



EMI/EMC FILTERING



MOUNTING HOLES



Project Owner: M18315			
PCB Layout Contact: M18315			
PartNumber: 02-01012	Project Title SAM9X75-Curiosity Main Board	Variant: Standard	
Sheet Title Gigabit Ethernet	SCH #: 02-01012	Rev: 5	
Size A3	PCB #: 04-12082	Date: 4/26/2024	
File: 09 - Gigabit Ethernet.SchDoc	Rev: 5	Sheet 10 of 19	