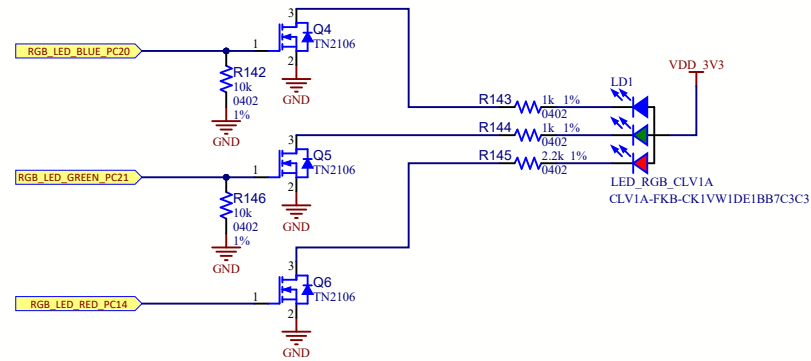
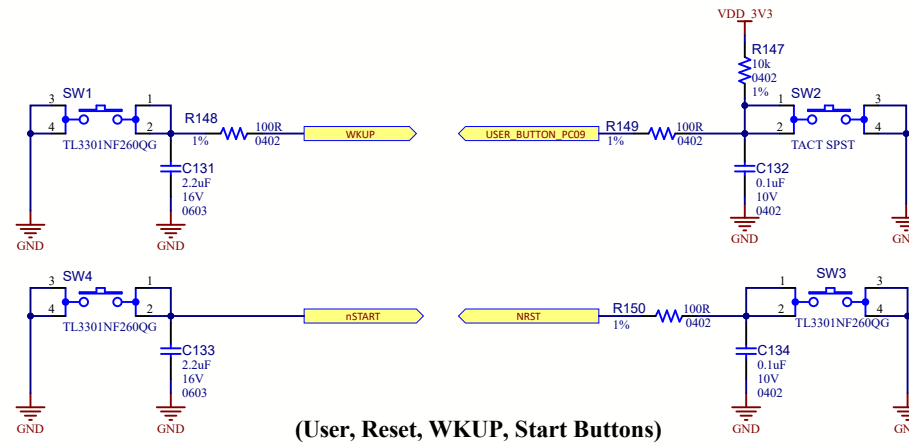



User Interface

RGB LED



SYSTEM BUTTONS



Project Owner: M18315			
PCB Layout Contact: M18315			
PartNumber: 02-01012	Project Title SAM9X75-Curiosity Main Board	Variant: Standard	
Sheet Title User Interface			
Size A3	SCH #: 02-01012 PCB #: 04-12082	Rev: 5 Rev: 5	Date: 4/26/2024 Sheet 15 of 19
File: 14 - User Interface.SchDoc			

