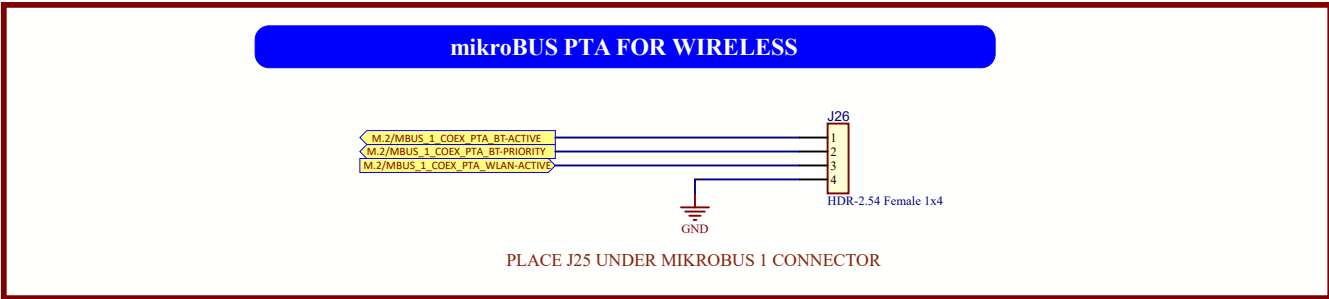
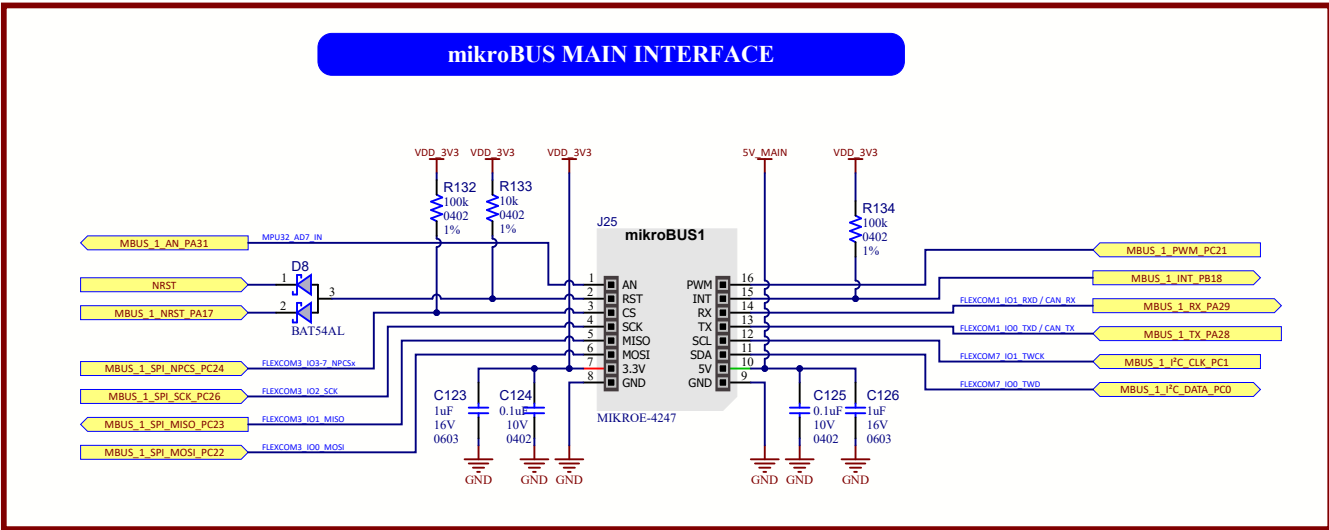


# MikroBus Connector



Project Owner: M18315		
PCB Layout Contact: M18315		
PartNumber: 02-01012	Project Title <b>SAM9X75-Curiosity Main Board</b>	Variant: Standard
Sheet Title <b>MikroBus Connector</b>		
Size: A3	SCH #: 02-01012	Rev: 5 Date: 4/26/2024
	PCB #: 04-12082	Rev: 5 Sheet 12 of 19
File: 11-MikroBus Connectors.SchDoc		

Designed with