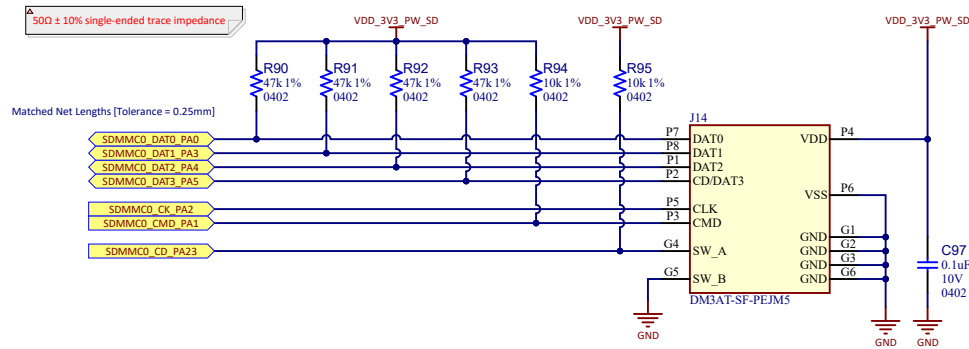
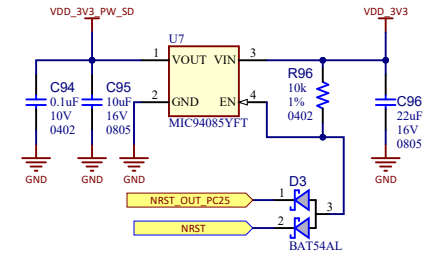




# μSD-Card

## μSD CARD INTERFACE



## μSD CARD POWER CONTROL



Project Owner: M18315			
PCB Layout Contact: M18315			
PartNumber: 02-01012	Project Title <b>SAM9X75-Curiosity Main Board</b>	Variant: Standard	
Sheet Title μSD-Card			
Size A3	SCH #: 02-01012 PCB #: 04-12082	Rev: 5 Rev: 5	Date: 4/26/2024 Sheet 8 of 19
File: 07 - uSD-Card.SchDoc			
			 Designed with Altium.com