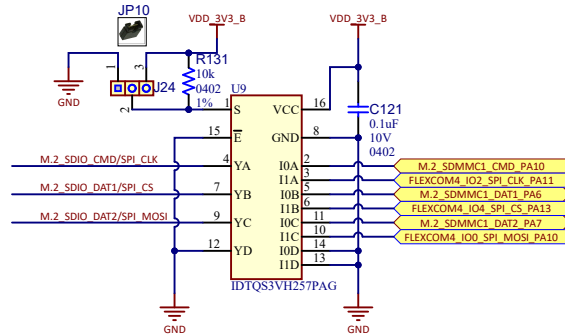
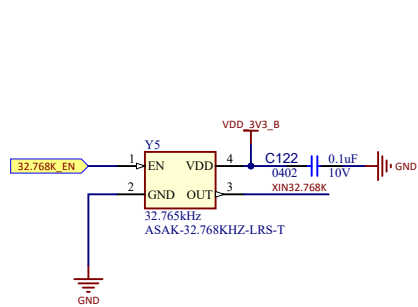
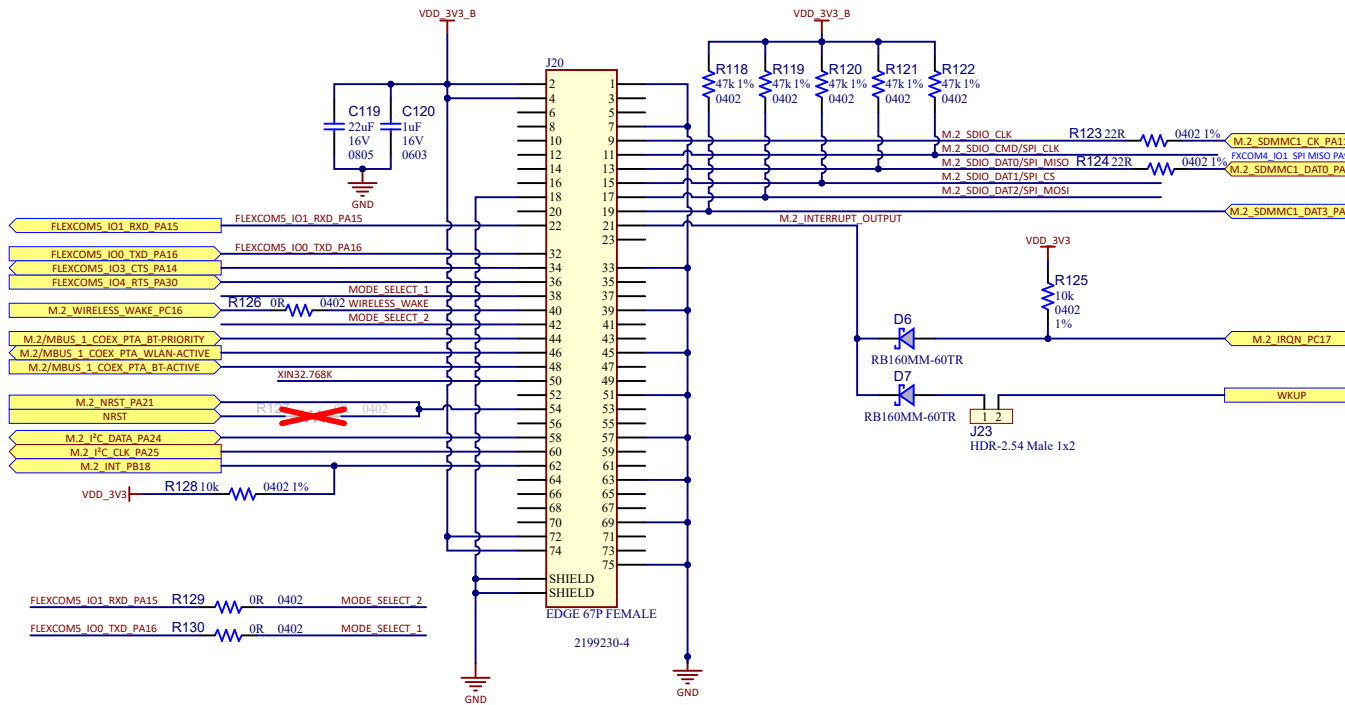
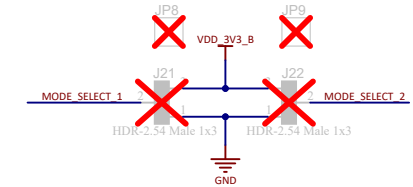


# Wireless M.2 Connector

## M.2 KEY E INTERFACE FOR WIRELESS



## M.2 KEY E CONFIGURATION



MODE_SELECT_1	MODE_SELECT_2	HOST INTERFACE
VDD_3V3	VDD_3V3	SPI/SDIO
GND	GND	UART
GND	VDD_3V3	I2C
VDD_3V3	GND	USB



Project Owner: M18315		
PCB Layout Contact: M18315		
PartNumber: 02-01012	Project Title: SAM9X75-Curiosity Main Board	Variant: Standard
Sheet Title: Wireless M.2 Connector		
Size: A3	SCH #: 02-01012	Rev: 5 Date: 4/26/2024
	PCB #: 04-12082	Rev: 5 Sheet 11 of 19
File: 10 - Wireless M2 Connector.SchDoc		

Designed with Altium.com