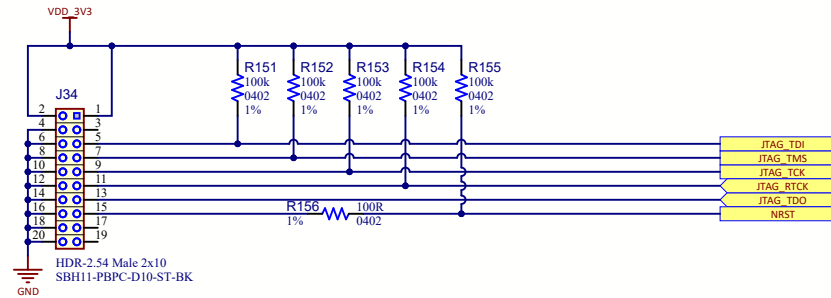
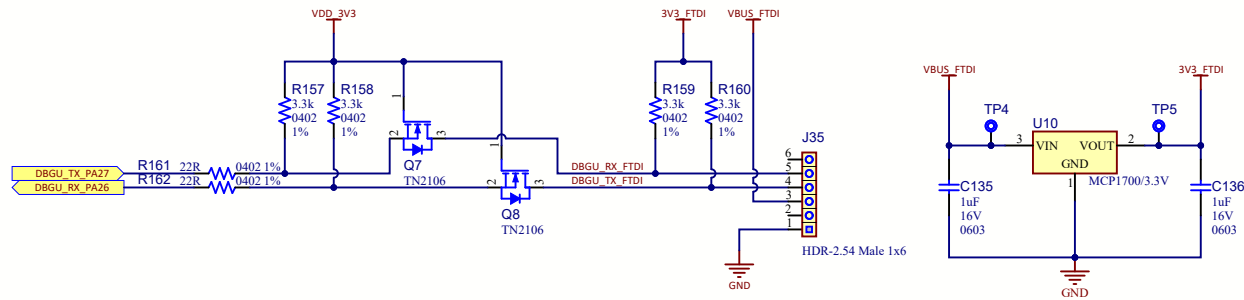


# Debug Interface

## JTAG WITH SAM-ICE





## CONSOLE INTERFACE (DBGU)



Only Compatible with :

- TTL-232R-3V3
- TTL-232R-5V

Project Owner: M18315			
PCB Layout Contact: M18315			
PartNumber: 02-01012	Project Title <b>SAM9X75-Curiosity Main Board</b>	Variant: Standard	
Sheet Title <b>Debug Interface</b>			
Size A3	SCH #: 02-01012	Rev: 5	Date: 4/26/2024
	PCB #: 04-12082	Rev: 5	Sheet 16 of 19
File: 15 - Debug Interface Sch.Doc			
			 Designed with Altium.com