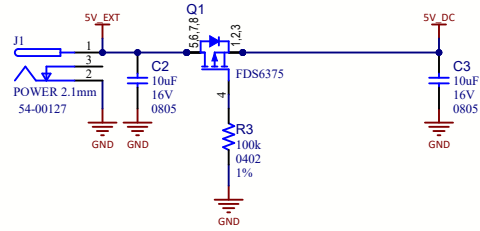
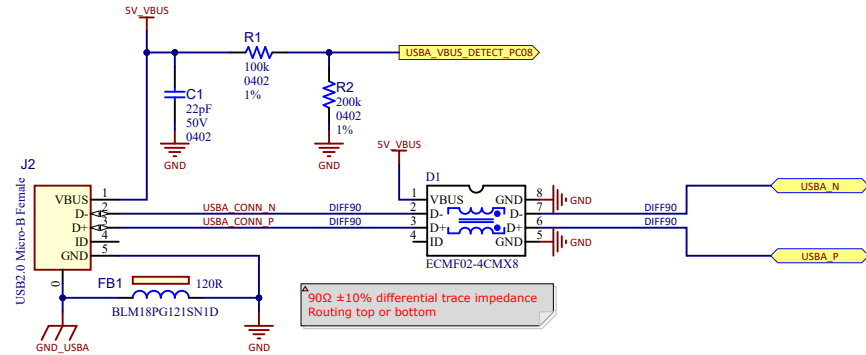


Power Inputs

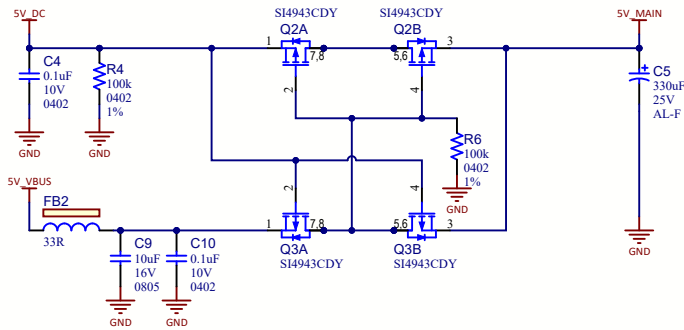
EXTERNAL 5V POWER SUPPLY



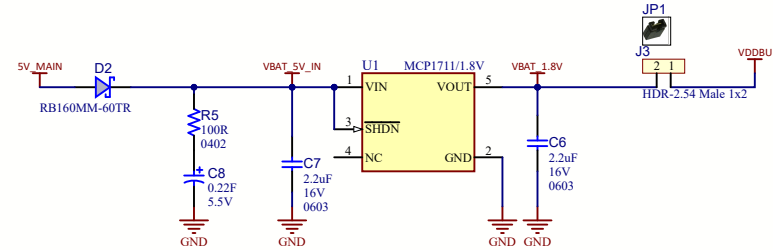
USBA Device TYPE Micro-B INPUT SUPPLY



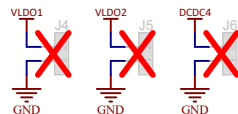
AUTOMATIC POWER SWITCH



BACKUP VOLTAGE



MPU32 CURIOSITY - UNUSED SUPPLIES



Project Owner: M18315			
PCB Layout Contact: M18315			
PartNumber: 02-01012	Project Title SAM9X75-Curiosity Main Board	Variant: Standard	 Designed with Altium
Sheet Title Power Inputs			
Size A3	SCH #: 02-01012	Rev: 5	Date: 4/26/2024
	PCB #: 04-12082	Rev: 5	Sheet 2 of 19
File: 01 - Power Inputs.SchDoc			