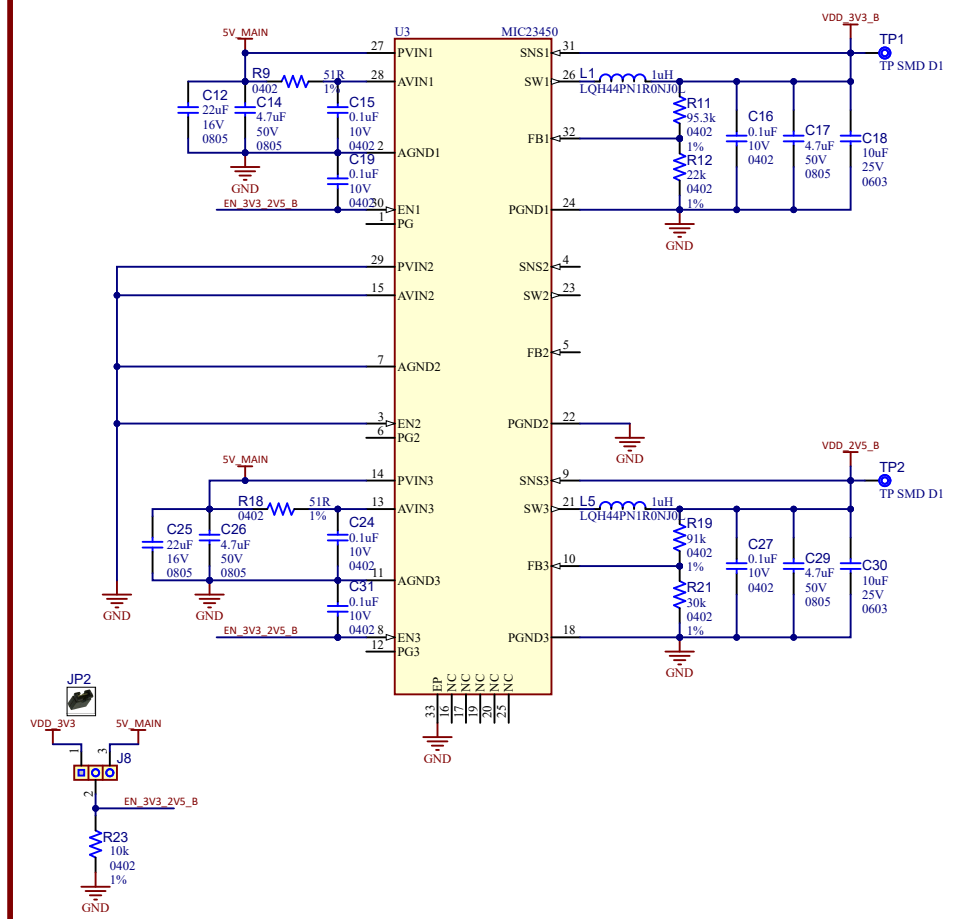
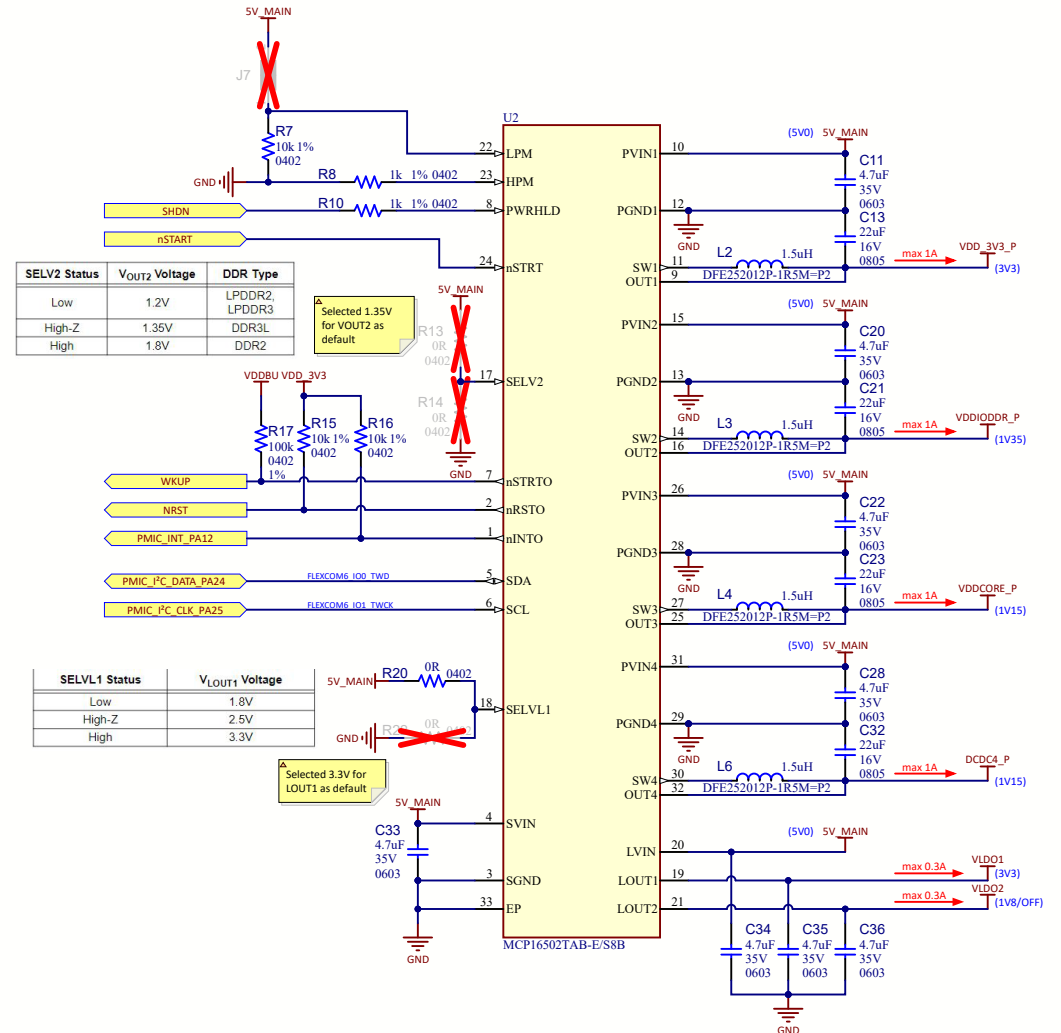


Power Supplies

EXTRA 3.3V + 2.5V POWER SUPPLY



POWER MANAGEMENT UNIT



Project Owner:
M18315
PCB Layout Contact:
M18315



PartNumber: 02-01012
Project Title: SAM9X75-Curiosity Main Board
Variant: Standard

Sheet Title: Power Supplies

Size A3
SCH #: 02-01012
PCB #: 04-12082
Rev: 5
Date: 4/26/2024
Rev: 5
Sheet 3 of 19



File: 02 - Power Supplies.SchDoc