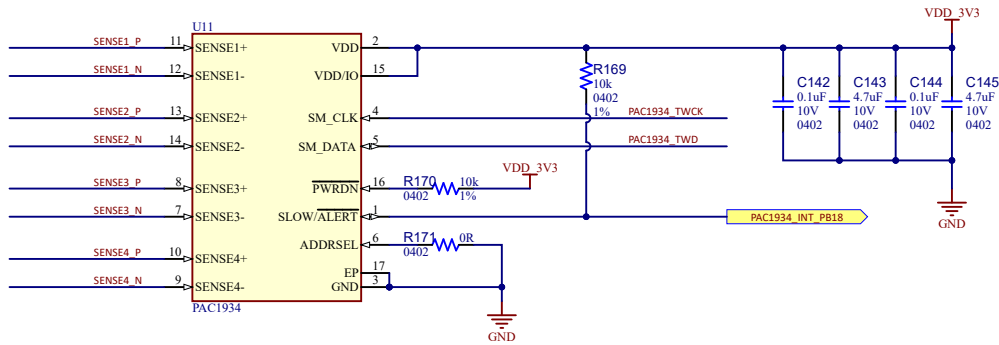
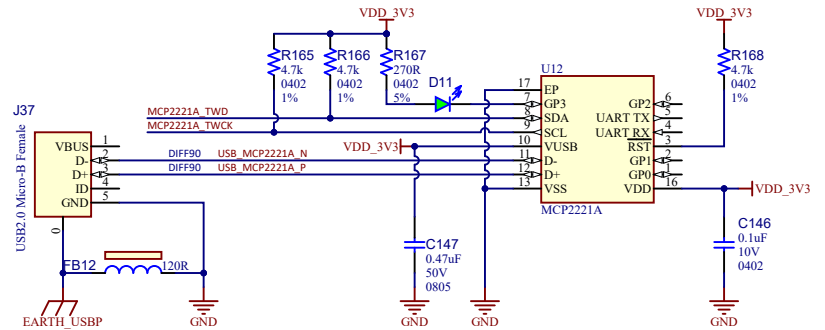


### POWER MEASUREMENT DEVICE



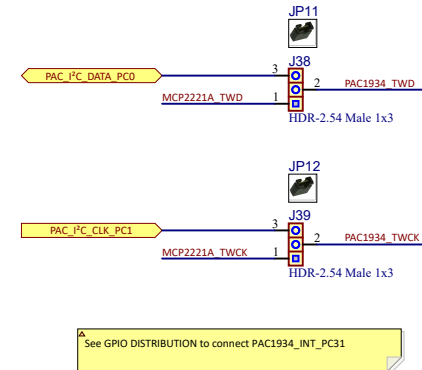
### USB Micro-B type connector to the MCP2221



### POWER MEASUREMENT DISTRIBUTION



### POWER MEASUREMENT CONTROL



Project Owner: M18315			
PCB Layout Contact: M18315			
PartNumber: 02-01012	Project Title <b>SAM9X75-Curiosity Main Board</b>	Variant: Standard	
Sheet Title <b>Power Monitoring</b>			
Size A3	SCH #: 02-01012	Rev: 5	Date: 4/26/2024
	PCB #: 04-12082	Rev: 5	Sheet 18 of 19
File: 17 - Power Monitoring.SchDoc			