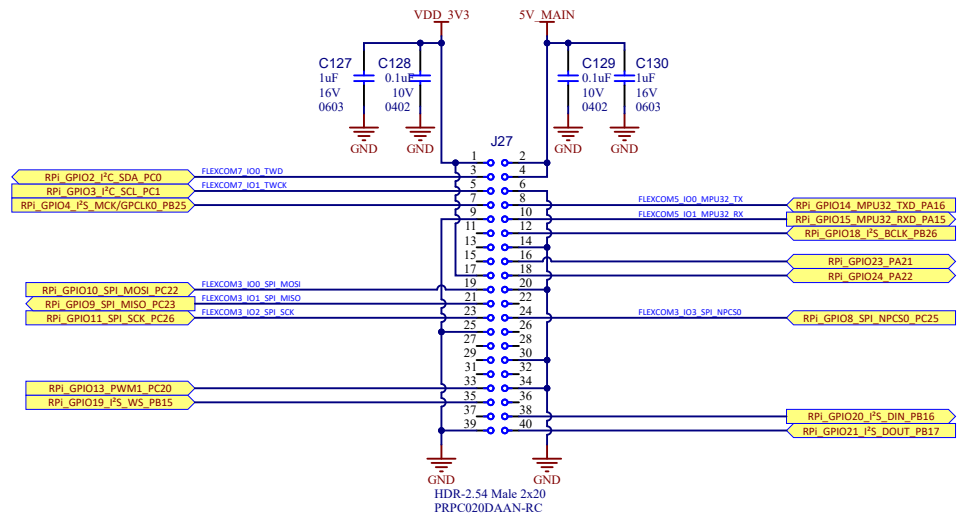




# Expansion Connectors

## RASPBERRY PI 40-PIN INTERFACE



Project Owner: M18315			
PCB Layout Contact: M18315			
PartNumber: 02-01012	Project Title <b>SAM9X75-Curiosity Main Board</b>	Variant: Standard	
Sheet Title Expansion Connectors			
Size A3	SCH #: 02-01012	Rev: 5	Date: 4/26/2024
	PCB #: 04-12082	Rev: 5	Sheet 13 of 19
File: 12 - Expansion Connectors.SchDoc			

  
 Altium.com