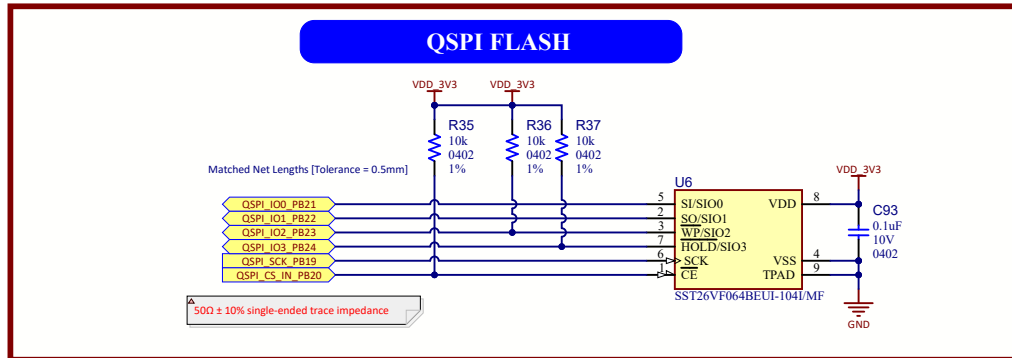
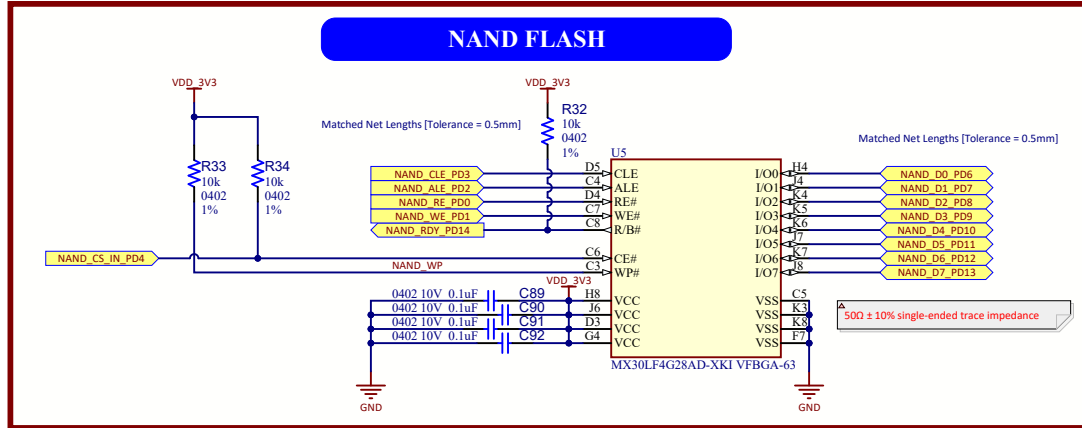


# MPU Memories



|                                |  |                   |                 |
|--------------------------------|--|-------------------|-----------------|
| Project Owner:<br>M18315       |  | <b>MICROCHIP</b>  |                 |
| PCB Layout Contact:<br>M18315  |  |                   |                 |
| PartNumber:<br>02-01012        | Project Title<br><b>SAM9X75-Curiosity Main Board</b> | Variant: Standard |                 |
| Sheet Title<br>MPU Memories    |  |                   |                 |
| Size<br>A3                     | SCH #: 02-01012                                      | Rev: 5            | Date: 4/26/2024 |
|                                | PCB #: 04-12082                                      | Rev: 5            | Sheet 5 of 19   |
| File: 04 - MPU Memories.SchDoc |  |                   |                 |

**Altium**  
Altium.com