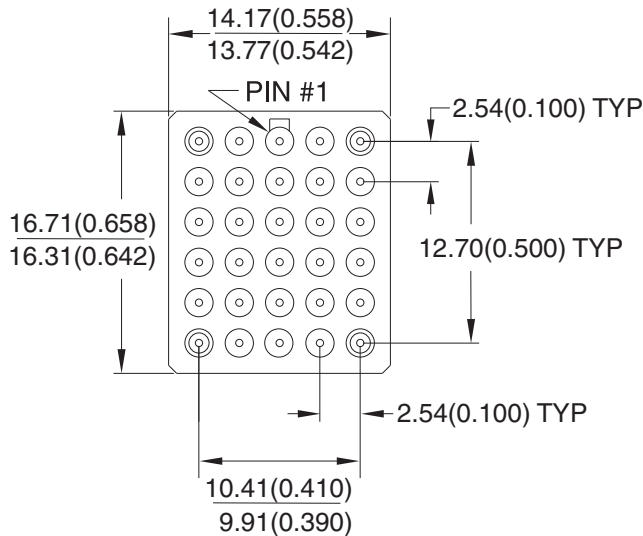
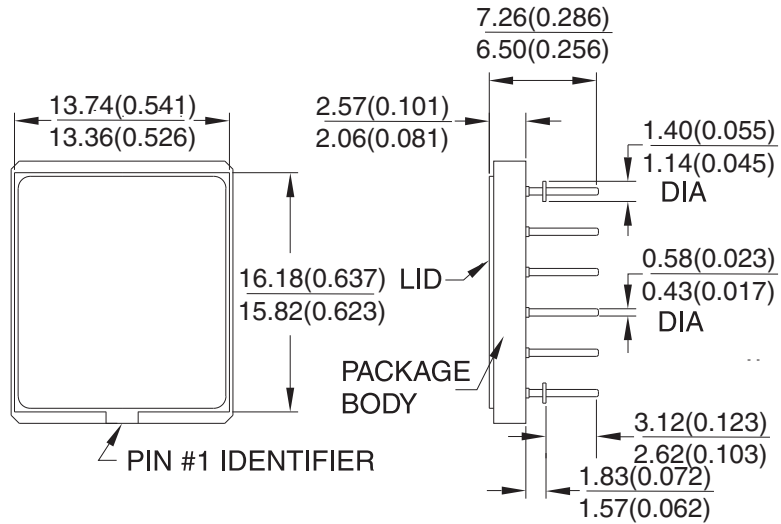


Dimensions in Millimeters and (Inches).  
 Controlling dimension: Inches.



**PIN NUMBERING**

26	27	1	3	4
25	24	28	2	5
23	22	29	6	7
21	20	30	8	9
19	16	14	10	11
18	17	15	13	12

10/21/03

**TITLE**

**30U**, 30-pin, Ceramic Pin Grid Array (PGA)

**DRAWING NO.**

30U

**REV.**

B