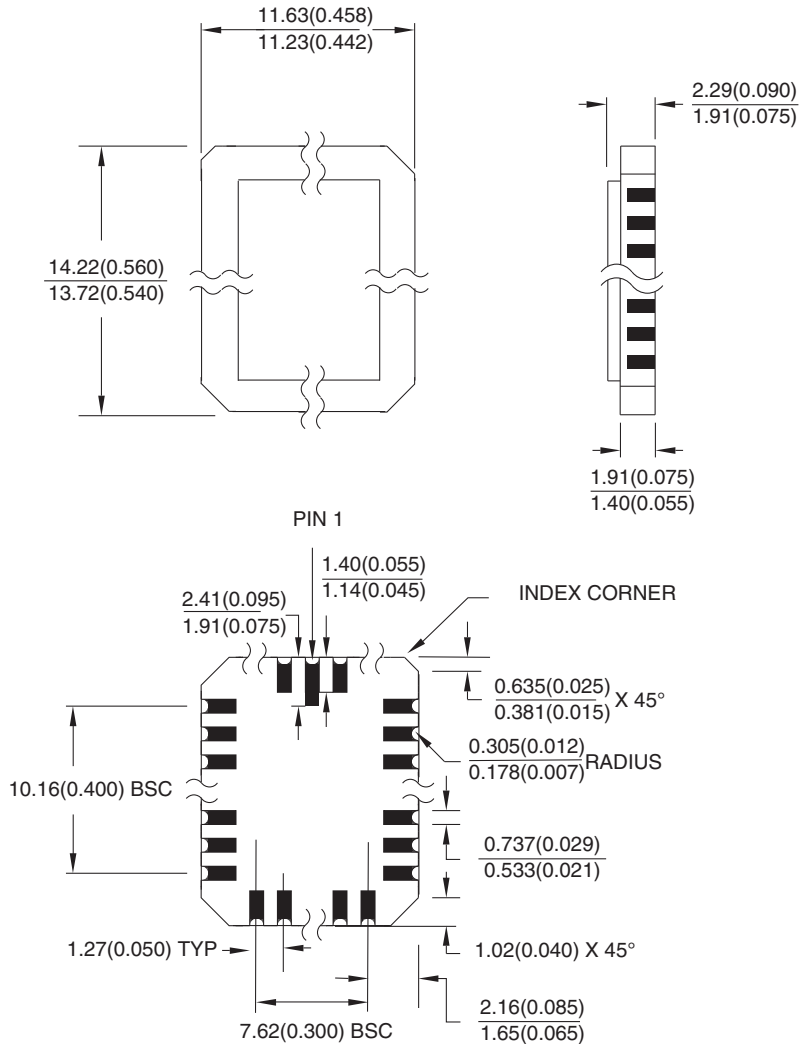


Dimensions in Millimeters and (Inches).
Controlling dimension: Inches.

MIL-STD 1835 C-12



10/21/03

TITLE	32L1, 32-pad, Non-windowed, Combo Lid, Leadless Chip Carrier (LCC)
--------------	---

DRAWING NO.	32L1	REV.	B
--------------------	-------------	-------------	----------