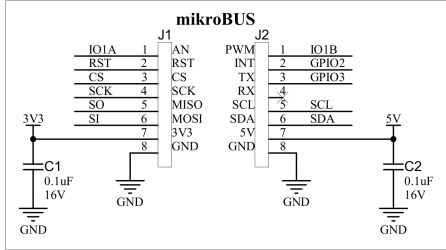
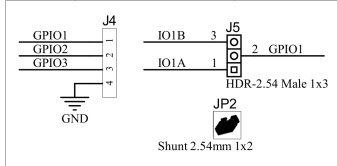


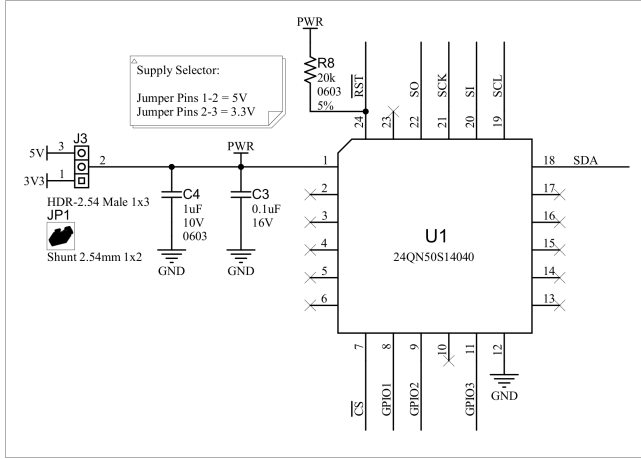
## mikroBUS INTERFACE CONNECTORS



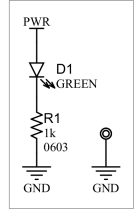
## GPIO (Alt. Connections)



## SOCKET

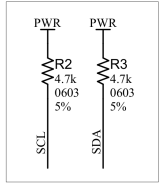


## SUPPLY INDICATOR

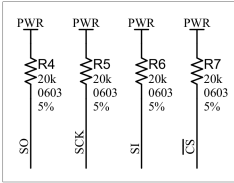


(Not Populated)

### PULL-UPS I2C



### PULL-UPS SPI



(Not Populated)

### PULL-UPS GPIO

