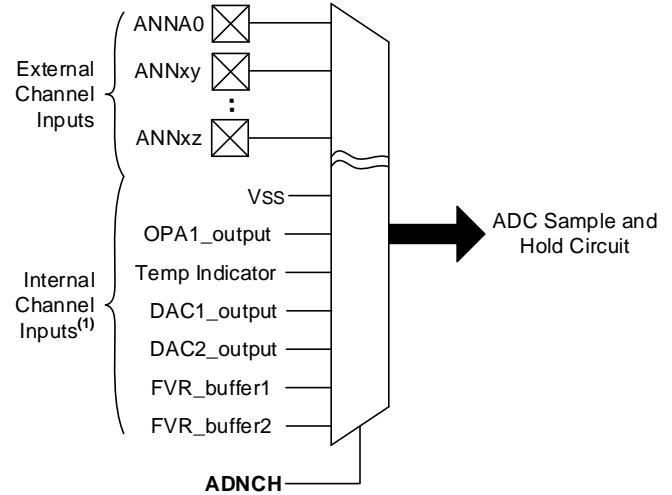
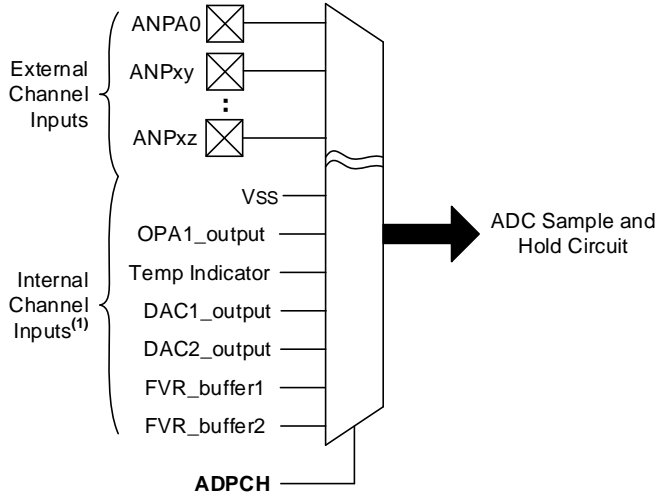


## Positive/Negative Input Selection Multiplexers



**Note 1:** The internal input channel selections vary. The inputs shown are all possible input selections. Please refer to the “**ADC Positive Input Channel Selection**” and “**ADC Negative Input Channel Selection**” tables for device-specific selection options.