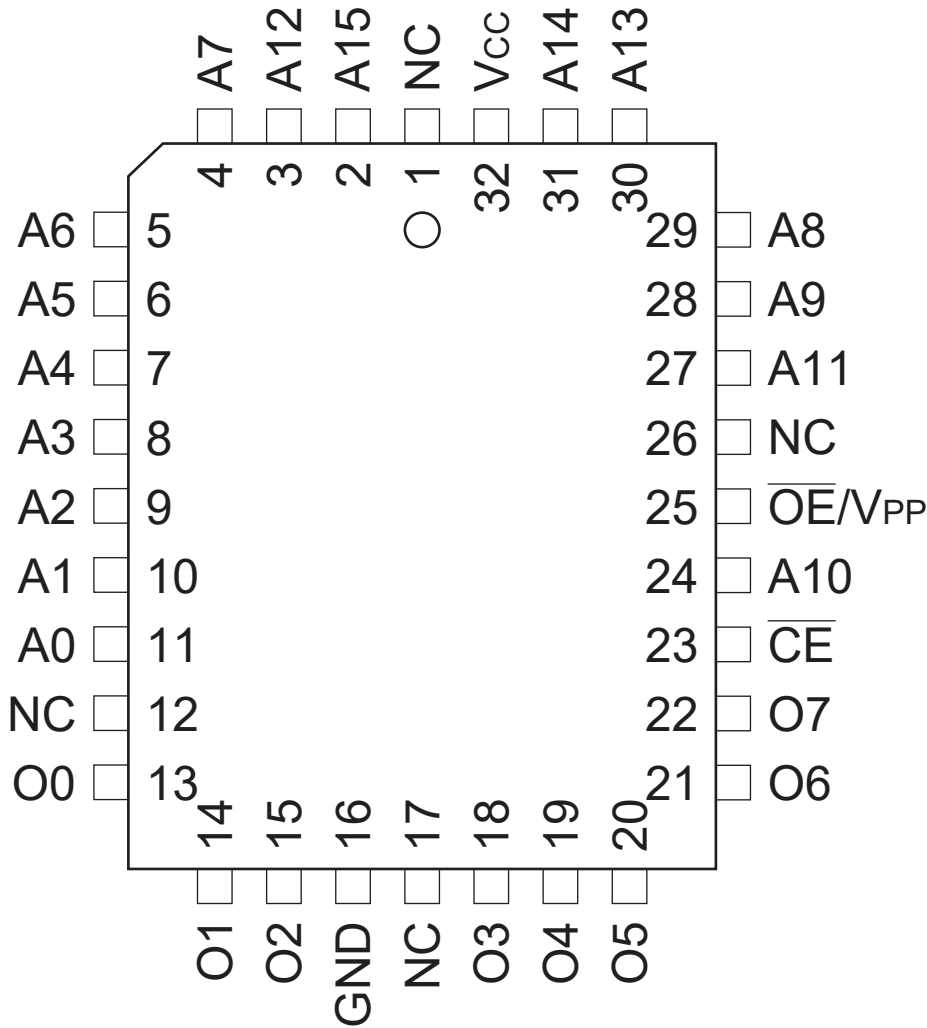


32-Lead PLCC (1)

Top View



28-Lead PDIP

Top View

