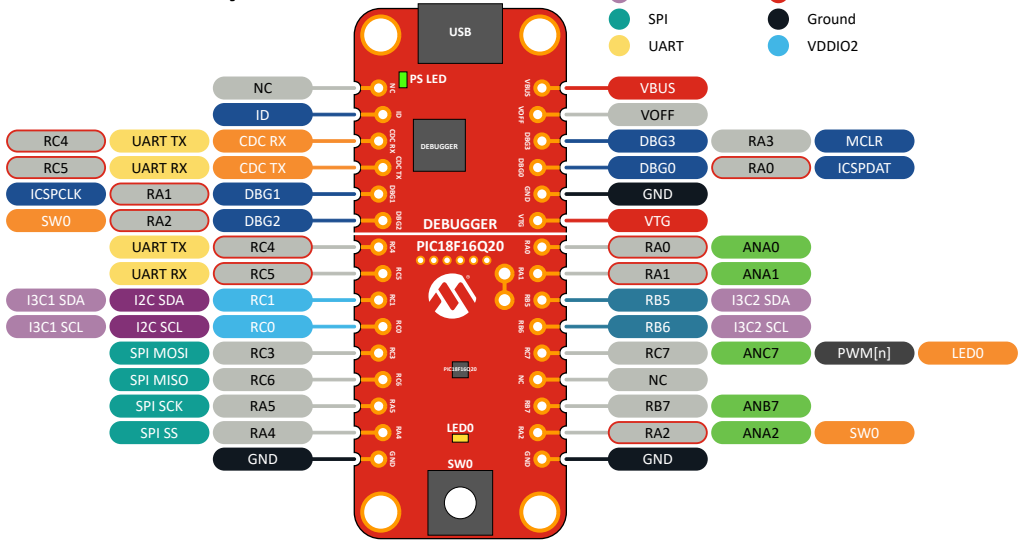


# PIC18F16Q20

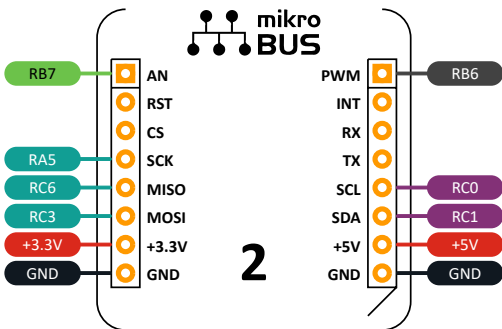
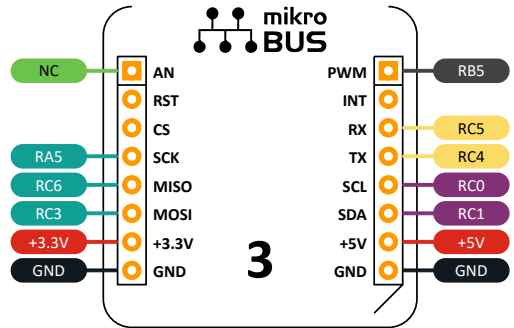
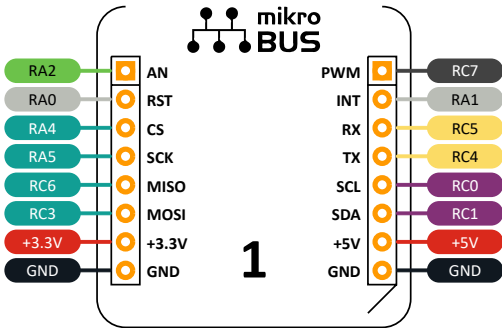
## Curiosity Nano

- Analog
- Debug
- I2C
- SPI
- UART
- Peripheral
- Port
- PWM
- Power
- Ground
- VDDIO2
- VDDIO3
- Shared pin



# Curiosity Nano Base

## for Click boards™



## Xplained Pro Extension

