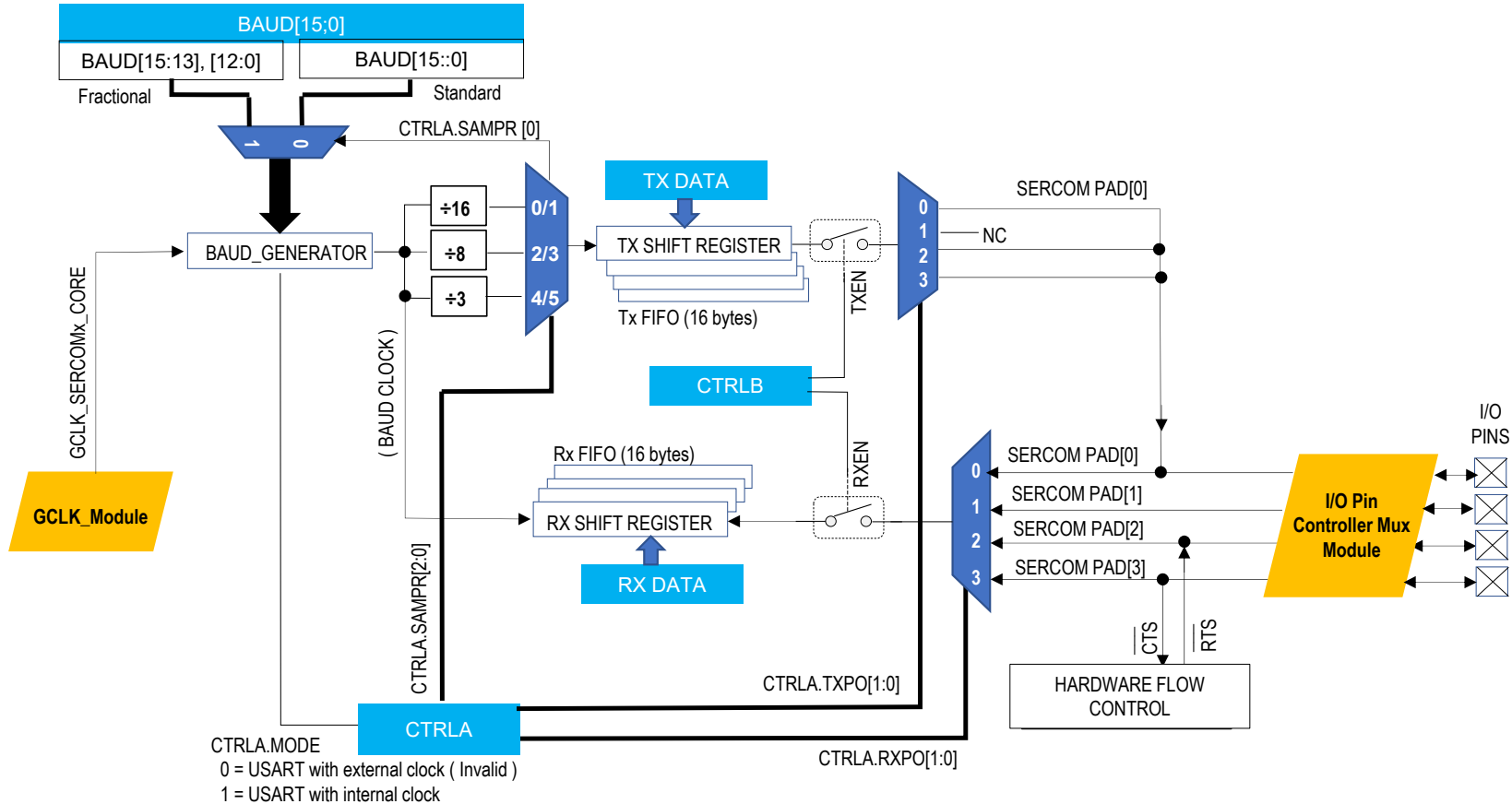


CTRLA.CMOD = 0 (Asynchronous Mode)



CTRLA.MODE
0 = USART with external clock (Invalid)
1 = USART with internal clock