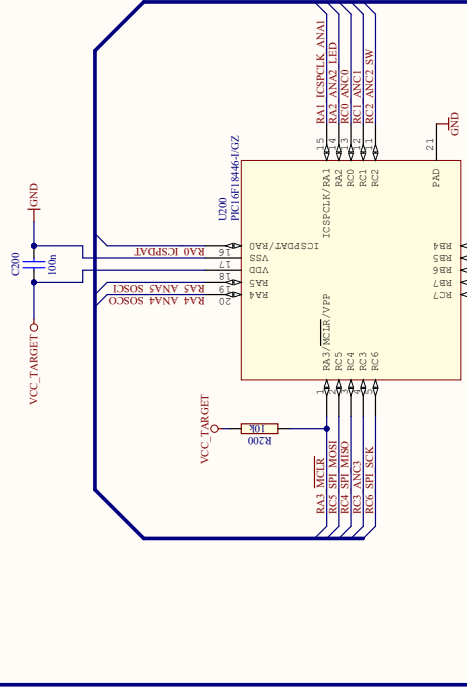
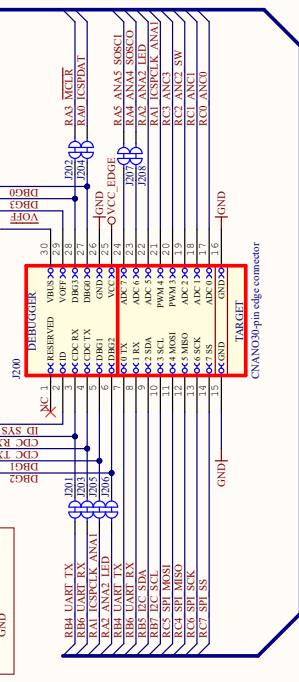
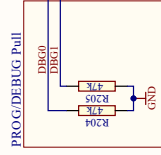
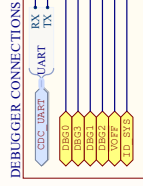


PIC16F18446



| PIC16F18446 | | Name | Pin |
|-------------|--|------------|-------------|
| Debugger | | EUSART1 RX | R1B |
| | | EUSART1 TX | R1A |
| | | ICSPDAT | RA0 |
| | | ICSPCLK | RA1 |
| | | GP000 | RA2 |
| | | MCLR | RA3 |
| VTG | | | 2.3V ~ 5.5V |



NOTE on UART/CDC:
 RX/TX on the header denotes the input/output direction of the signal respective to it's source.
 CDC TX is output from the DEBUGGER.
 CDC RX is input to the DEBUGGER.
 TX is output from the TARGET device.
 RX is input to the TARGET device.

NOTE on I2C:
 No pull-ups on board. Pull-ups should be mounted close to active devices(s).

