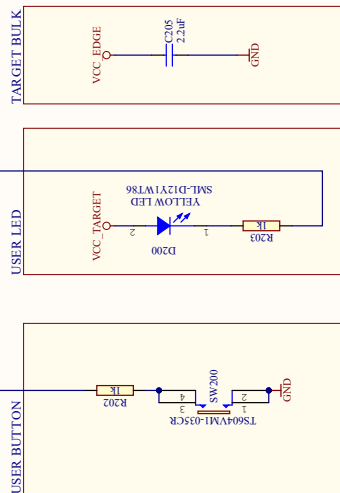
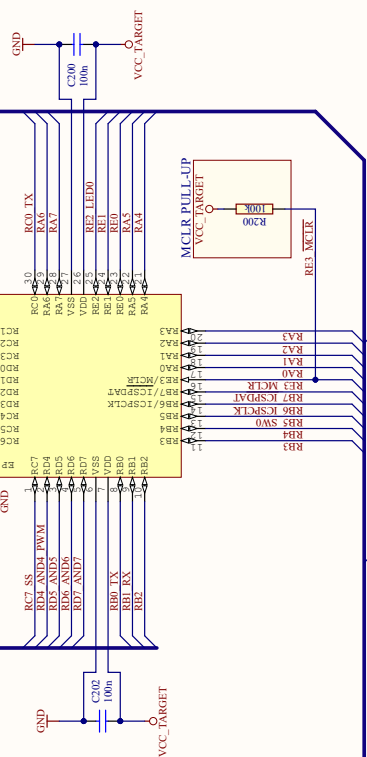
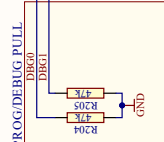
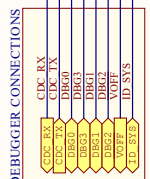


# PIC16F15276

Debugger	Name	Pin
CDC TX	EUSART1 RX	RB1
CDC RX	EUSART1 TX	RB0
DBG1	ISPDAT	RB7
DBG2	CSCLK	RB6
DBG3	MCLR	RE3
VTD	1.8V-5.5V	



**NOTE on UART/CDC:**  
 RX TX on the header denotes the input/output direction of the signal respective to it's source.  
 CDC TX is output from the DEBUGGER.  
 CDC RX is input to the DEBUGGER.  
 TX is input to the TARGET device.  
 RX is input to the TARGET device.

**NOTE on DC:**  
 No pull-ups on board. Pull-ups should be mounted close to client device(s).

